

PUNEET NAGI

www.puneetnagi.com

INDUSTRIAL DESIGN

AUTOMOTIVE DESIGN

VISUALIZATION

3D MODELLING

SOFTWARES /

SKETCHES
FUSION 360
SUBSTANCE PAINTER
KEYSHOT
PHOTOSHOP

2021

PORTFOLIO

/ 1

BLUR E SKATEBOARD

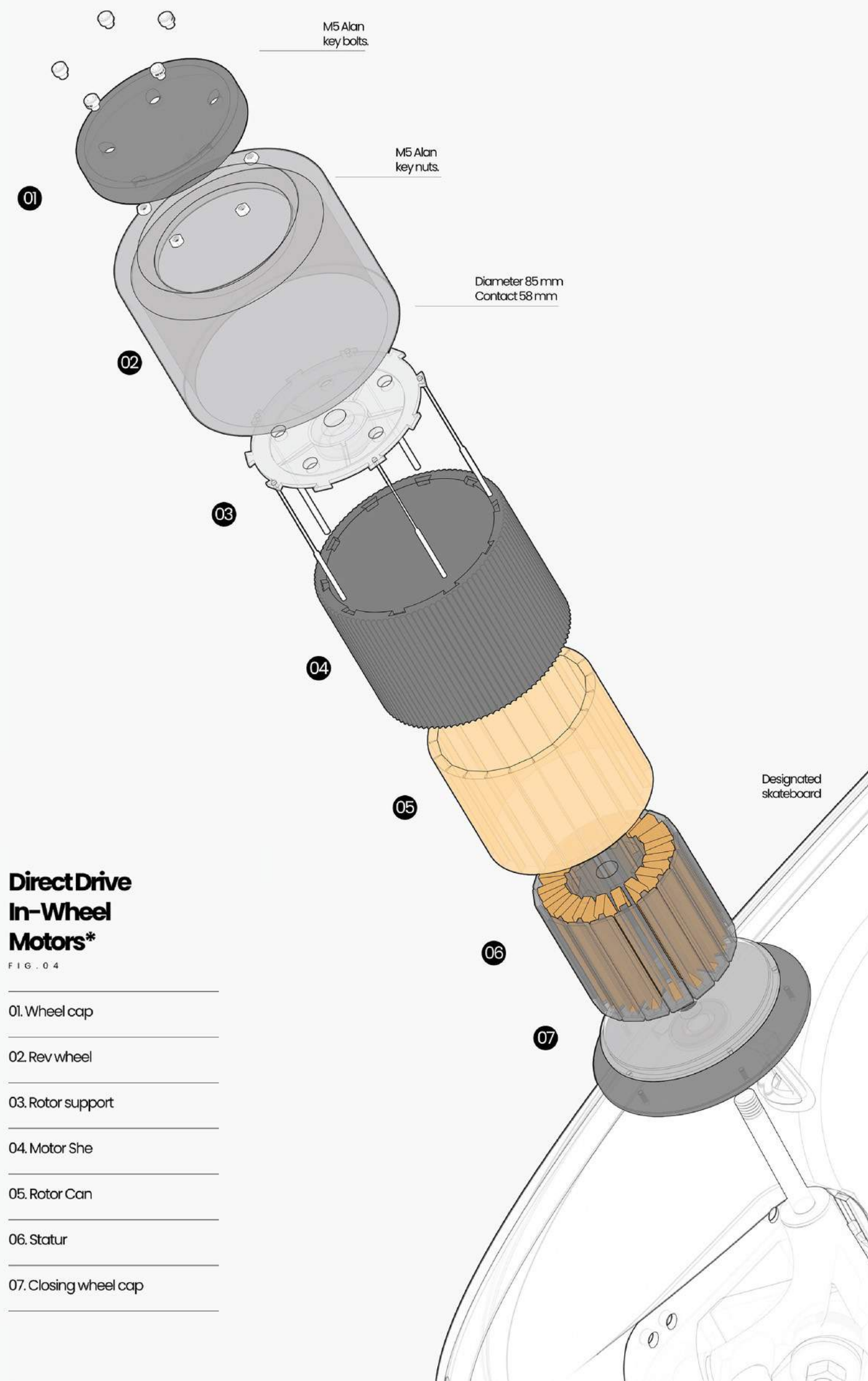
2019

CONTRACT WORK FOR
OPACITY & CO.

SOFTWARES /

FUSION 360
KEYSHOT
PHOTOSHOP

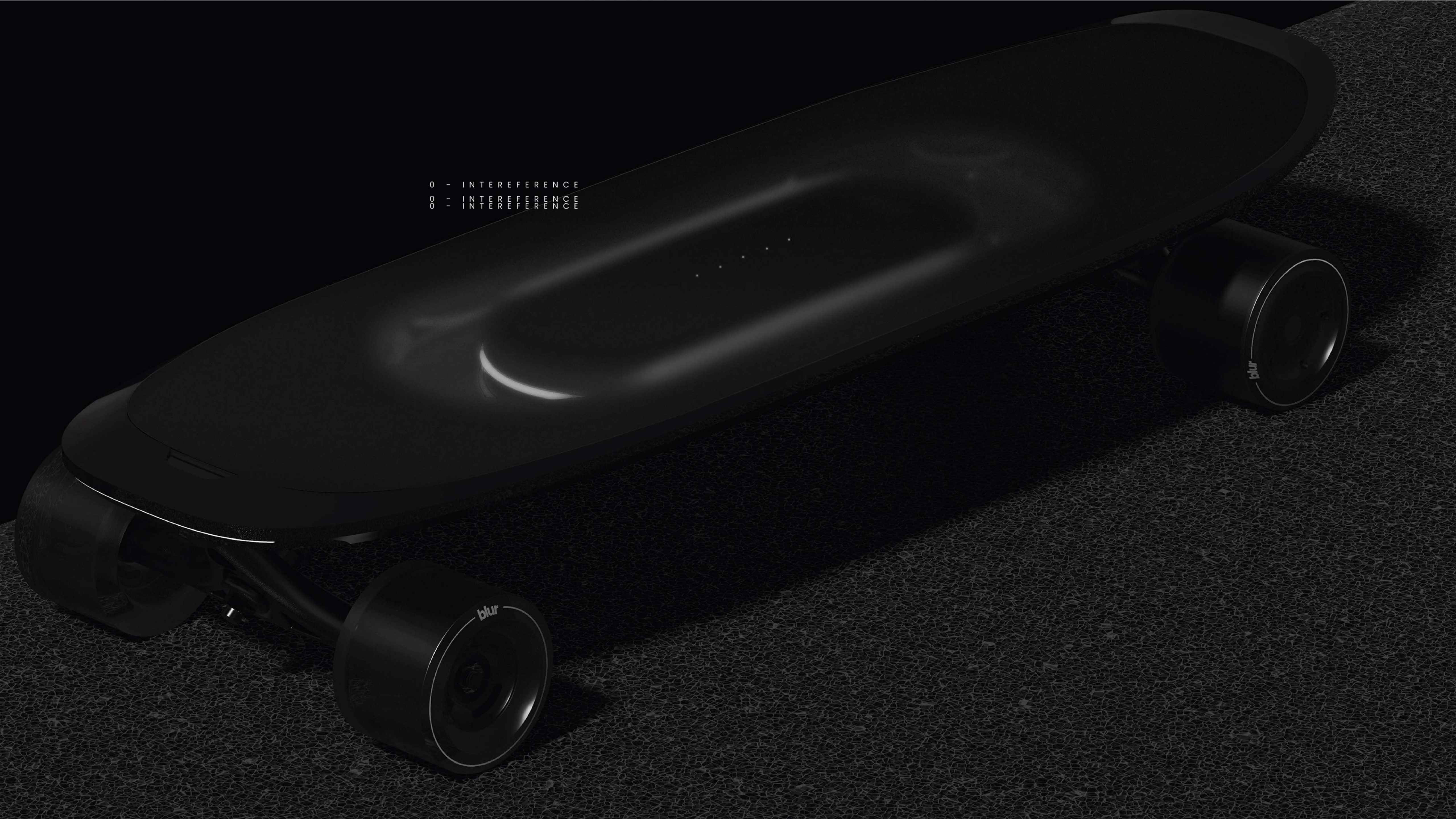




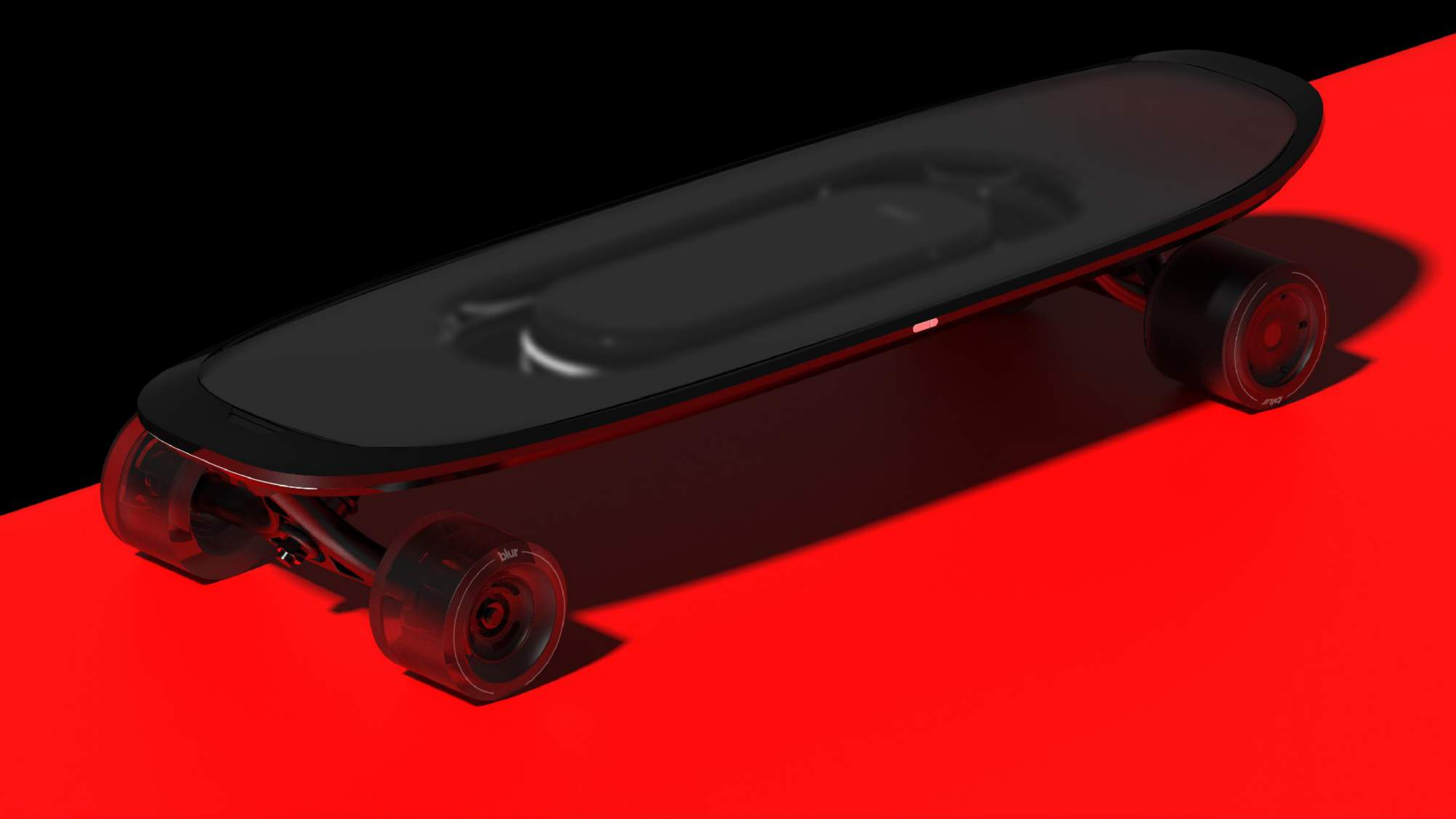
**Direct Drive
In-Wheel
Motors***
FIG. 04

- 01. Wheel cap
- 02. Rev wheel
- 03. Rotor support
- 04. Motor She
- 05. Rotor Can
- 06. Statur
- 07. Closing wheel cap

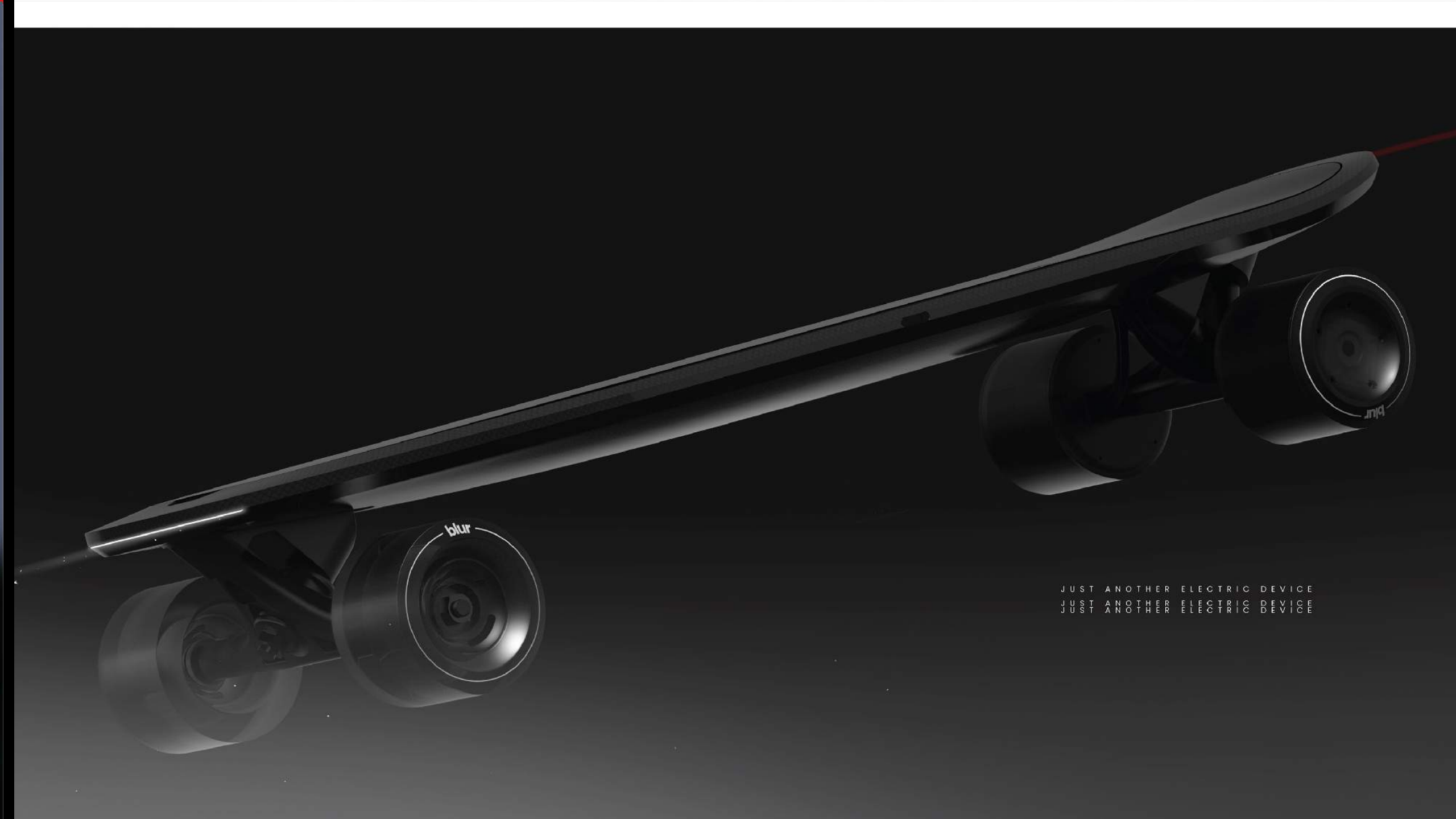
0 - INTERFERENCE
0 - INTERFERENCE
0 - INTERFERENCE





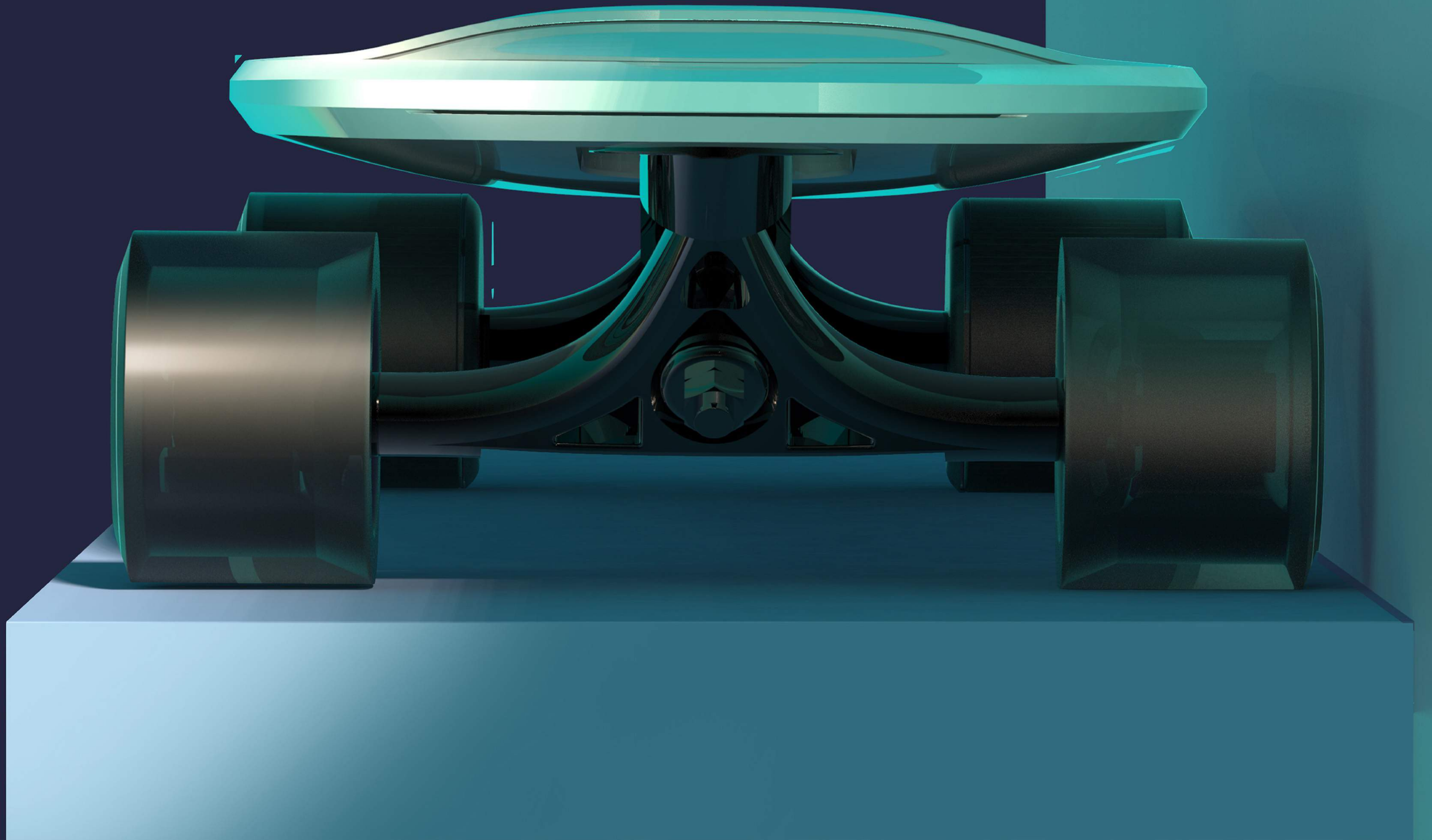


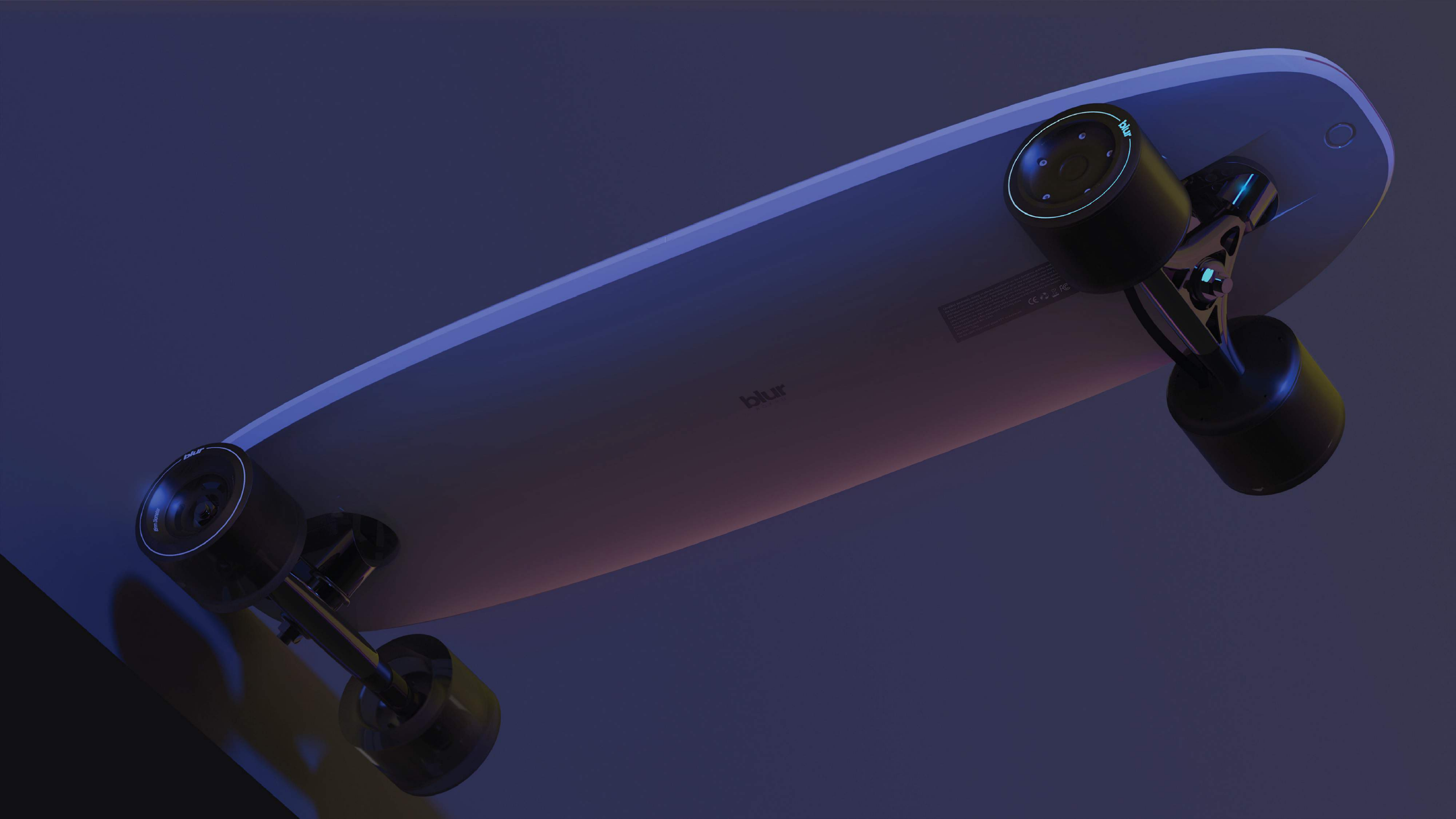
JUST ANOTHER ELECTRIC DEVICE
JUST ANOTHER ELECTRIC DEVICE
JUST ANOTHER ELECTRIC DEVICE



JUST ANOTHER ELECTRIC DEVICE
JUST ANOTHER ELECTRIC DEVICE
JUST ANOTHER ELECTRIC DEVICE







blur

CE

blur

blur



Anatomy of Packaging

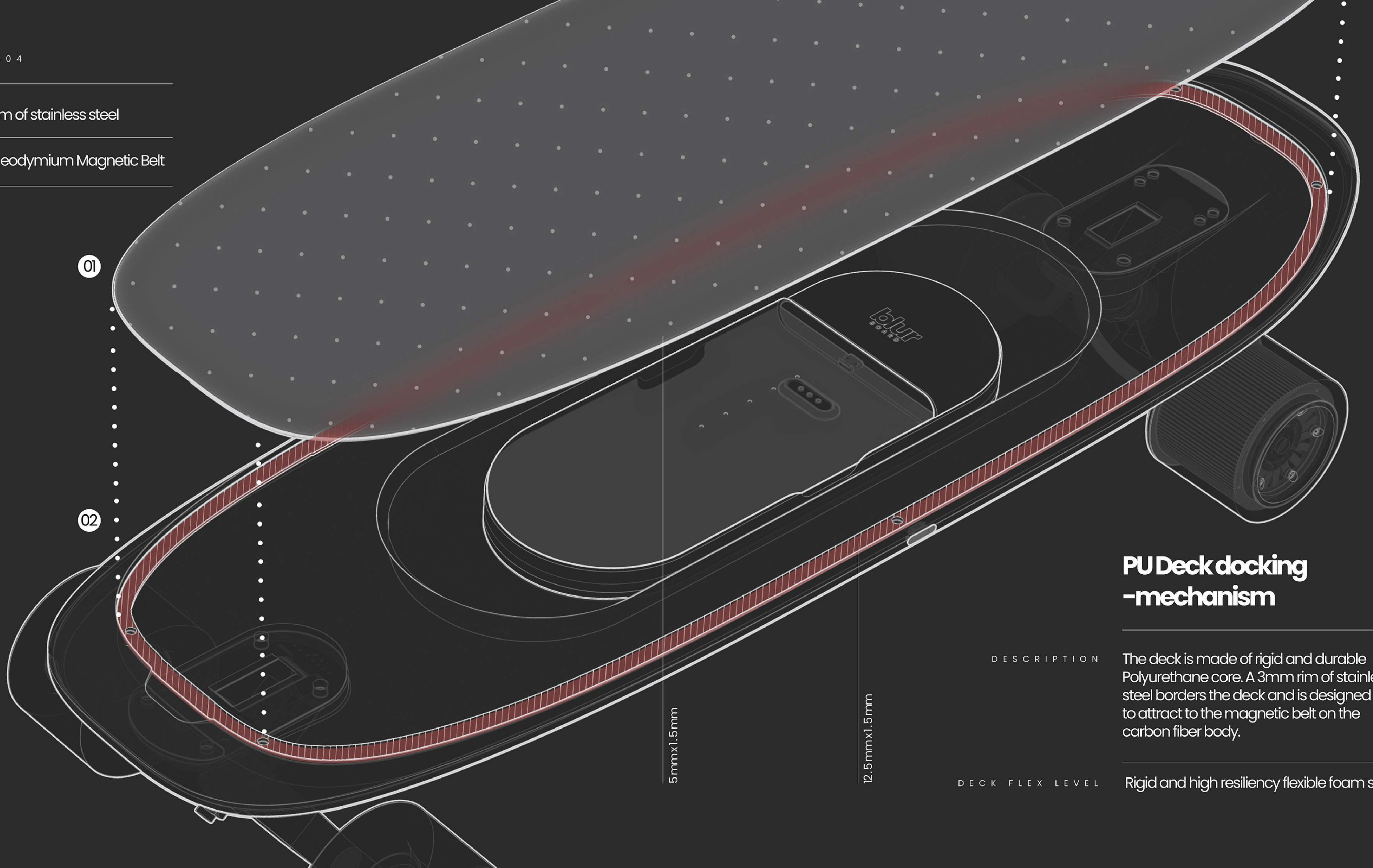
FIG. 04
IN THE BOX

- 01. Packaging Box
- 02. Blur polyurethane deck
- 03. Direct- Drive In Wheel motors
- 04. Skateboard
- 05. Battery docking station
- 06. Rear Wheels
- 07. Blur Remote Controller
- 08. Front wheels
- 09. Front and rear trucks
- 10. Lithium- ion Batteries x 2
- 11. Type C Charging cable and plug

FIG. 04

01. Rim of stainless steel

02. Neodymium Magnetic Belt



01

02

5 mm x 1.5 mm

12.5 mm x 1.5 mm

PU Deck docking -mechanism

DESCRIPTION

The deck is made of rigid and durable Polyurethane core. A 3mm rim of stainless steel borders the deck and is designed to attract to the magnetic belt on the carbon fiber body.

DECK FLEX LEVEL

Rigid and high resiliency flexible foam seating



/ 2

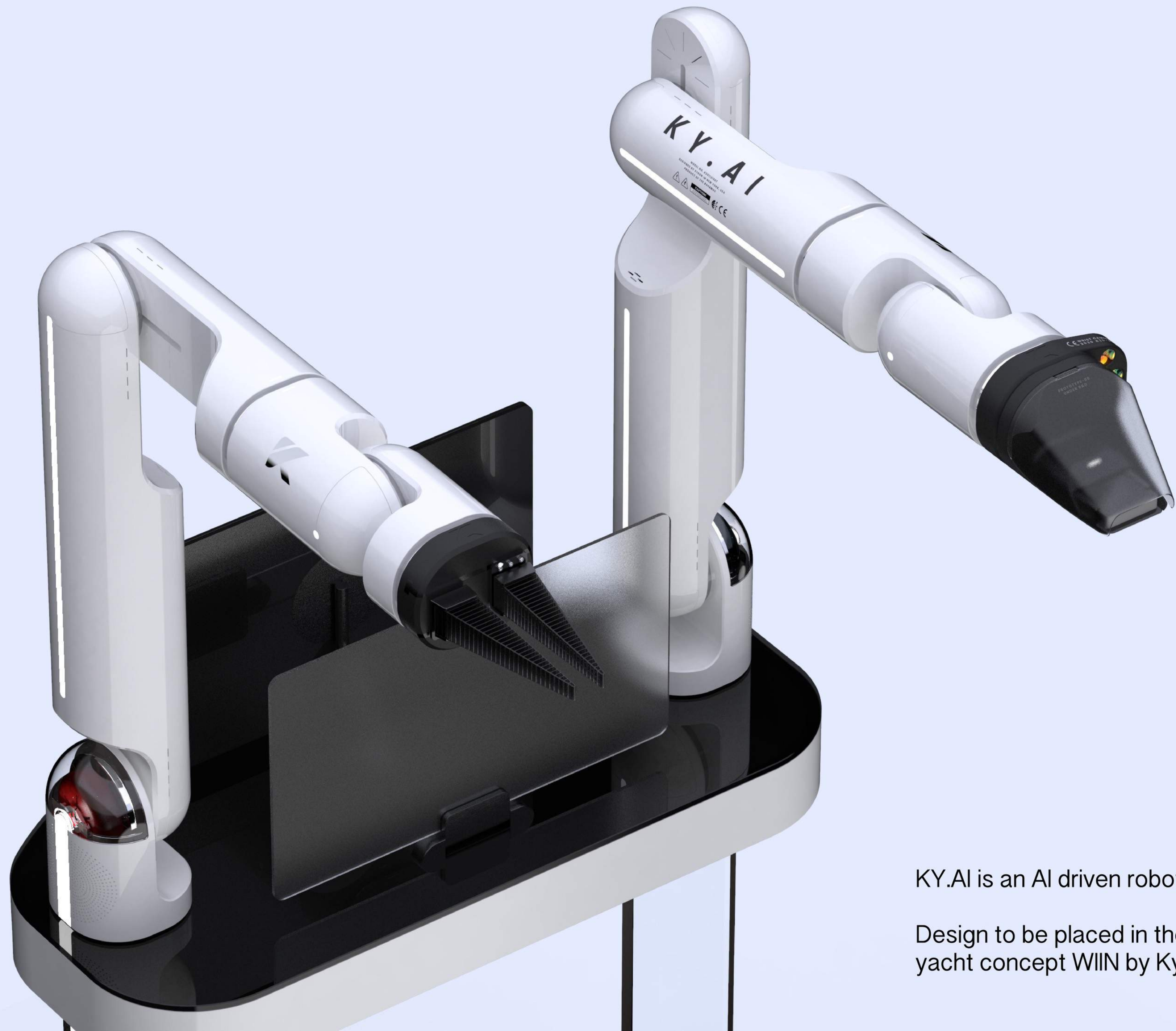
KY.AI ROBOT ARM

2020

CONTRACT WORK FOR
KYRON DESIGN NEW YORK

SOFTWARES /

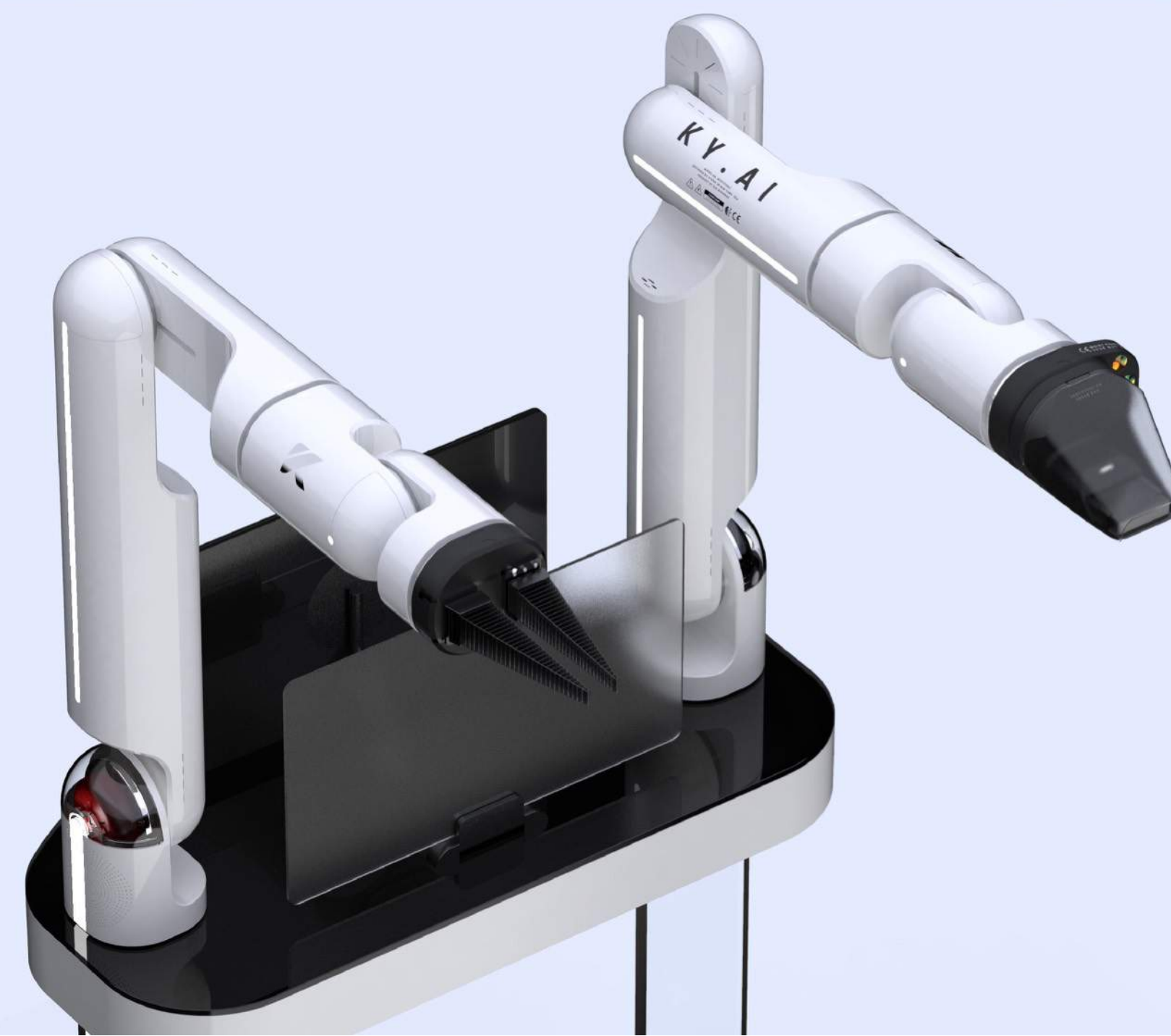
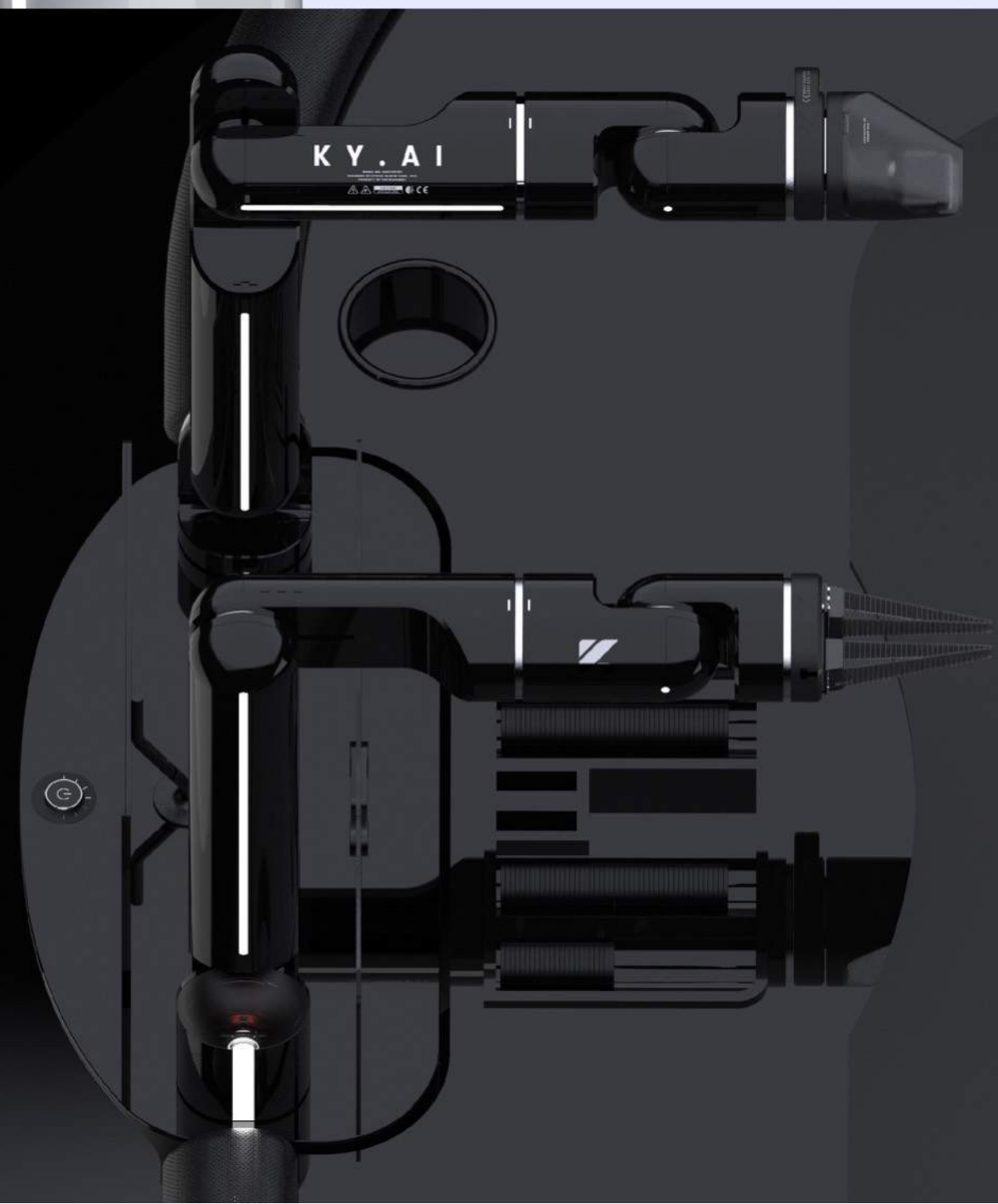
FUSION 360
KEYSHOT
PHOTOSHOP



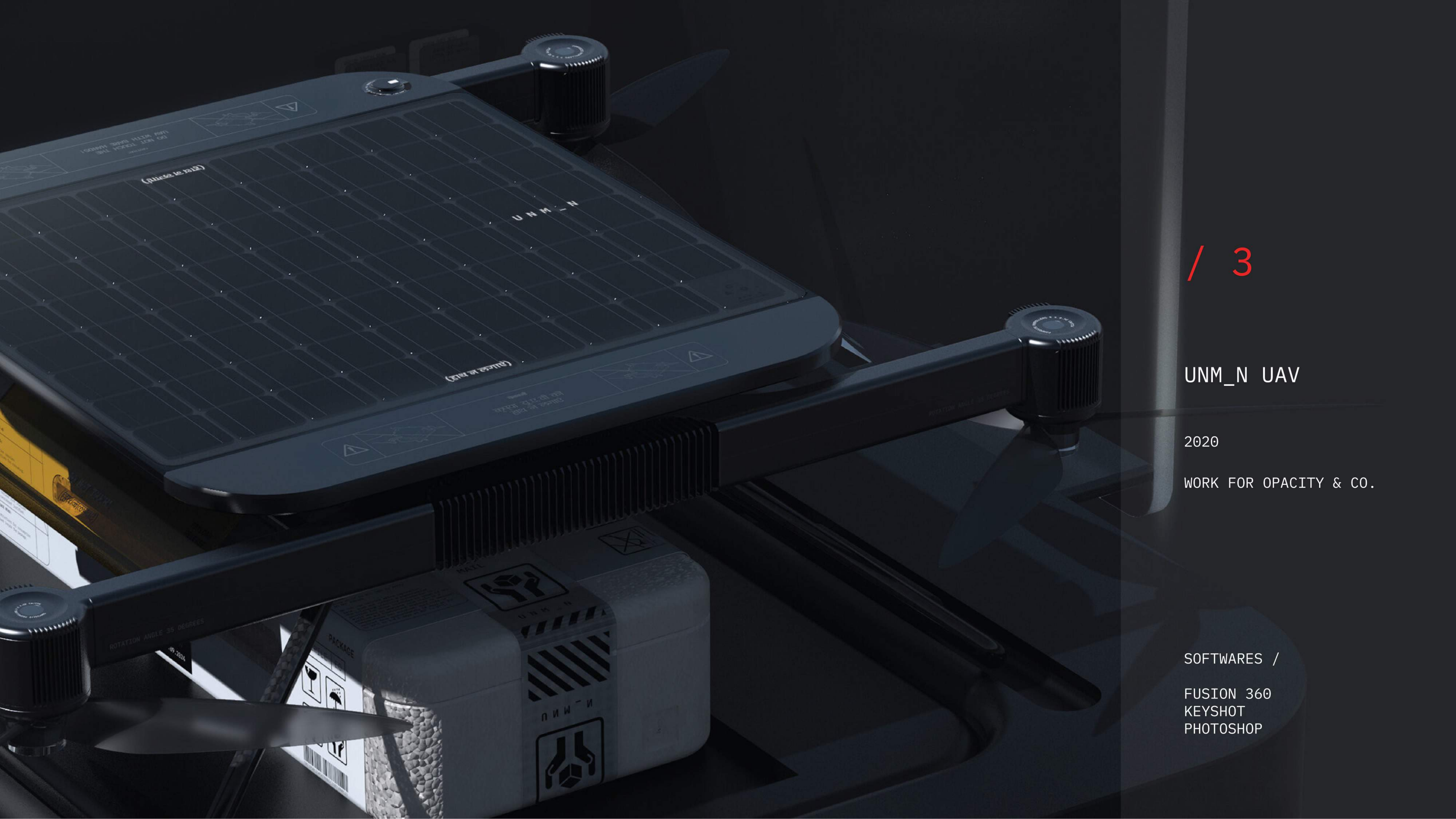
KY.AI is an AI driven robot poker dealer.

Design to be placed in the gameroom of the yacht concept WIIN by Kyron Design New York









/ 3

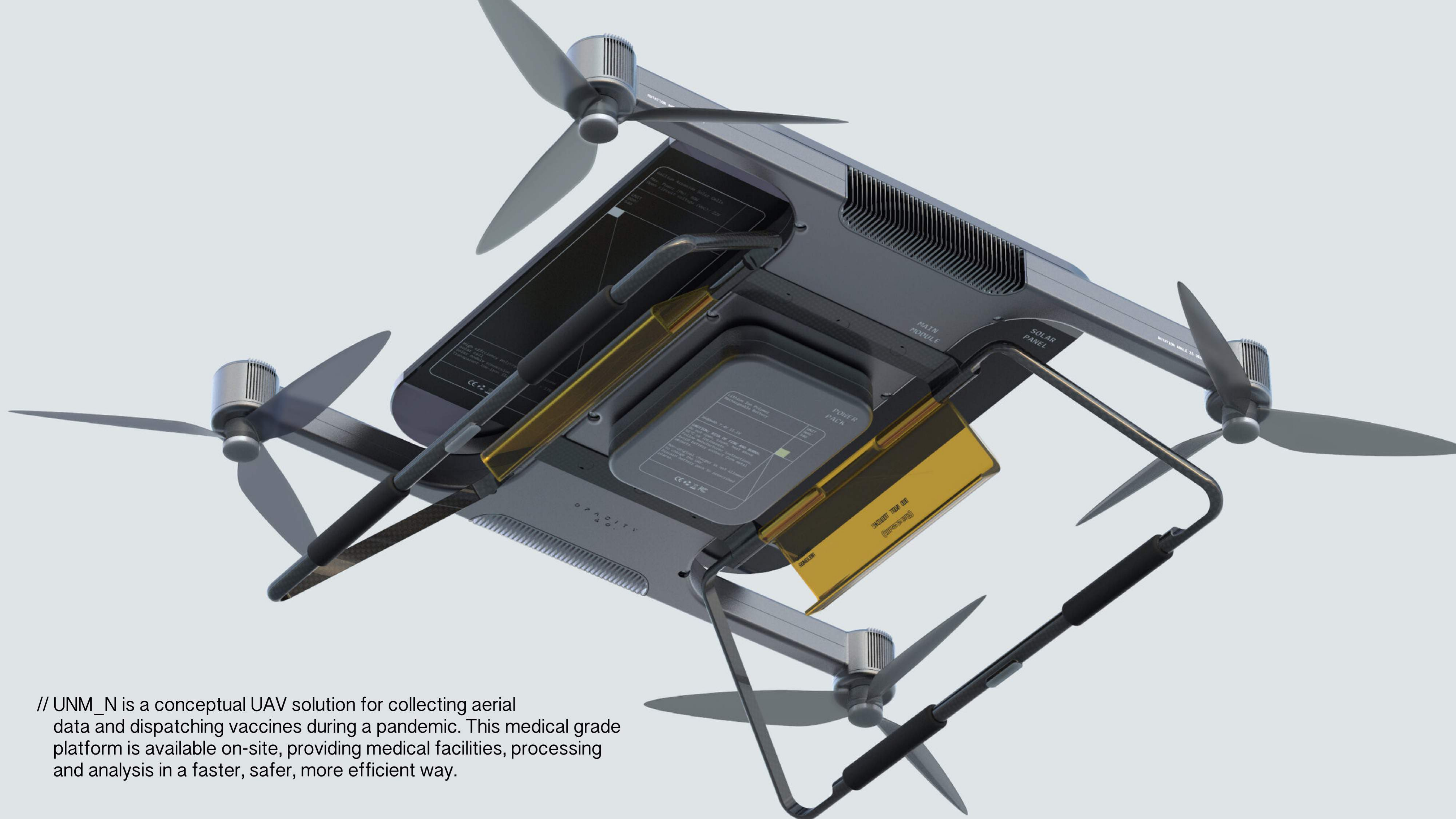
UNM_N UAV

2020

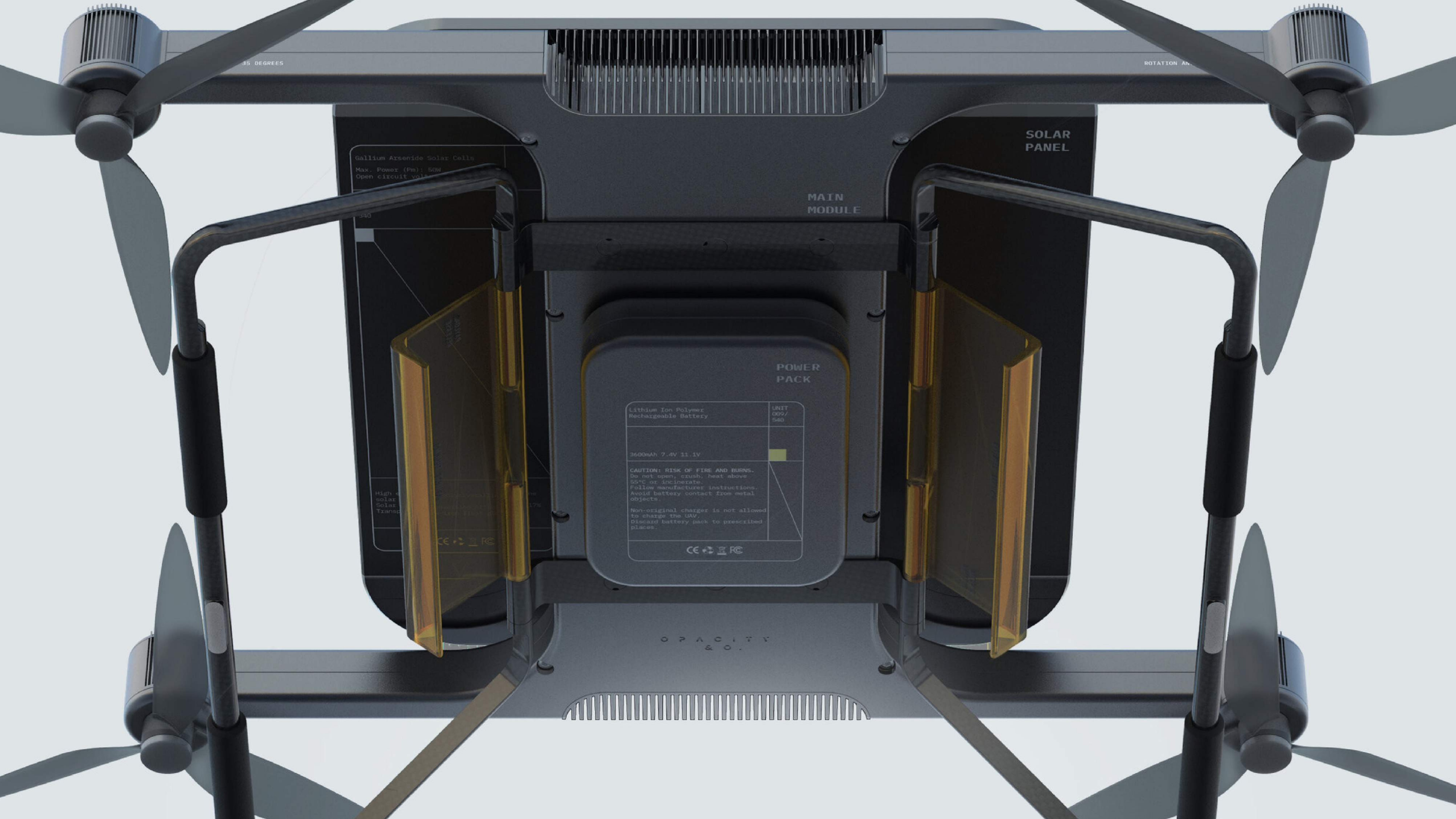
WORK FOR OPACITY & CO.

SOFTWARES /

FUSION 360
KEYSHOT
PHOTOSHOP



// UNM_N is a conceptual UAV solution for collecting aerial data and dispatching vaccines during a pandemic. This medical grade platform is available on-site, providing medical facilities, processing and analysis in a faster, safer, more efficient way.



35 DEGREES

ROTATION AN

Gallium Arsenide Solar Cells
Max. Power (P_m): 50W
Open circuit vol

MAIN
MODULE

SOLAR
PANEL

POWER
PACK

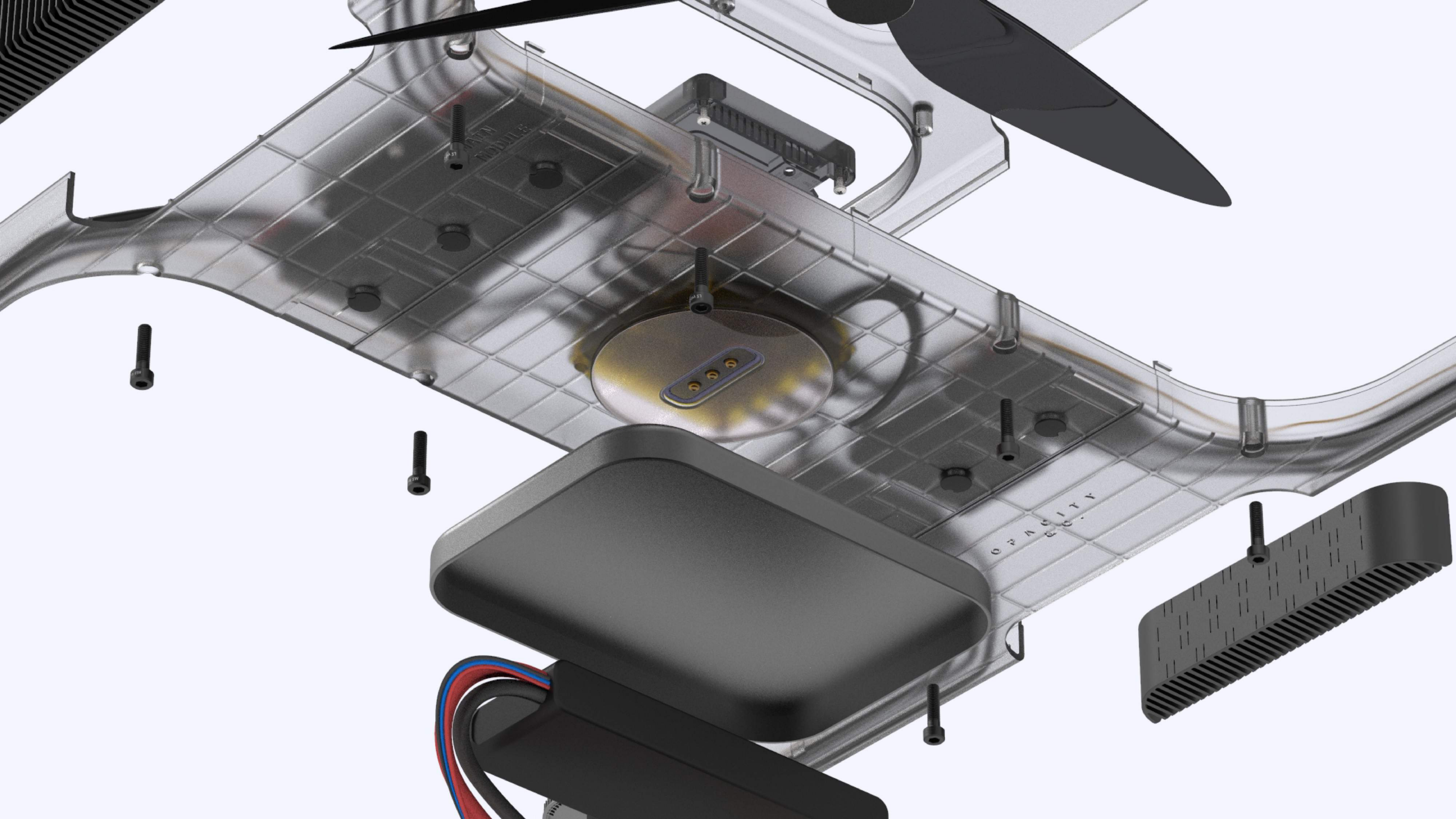
Lithium Ion Polymer Rechargeable Battery	UNIT 009/ 540
3600mAh 7.4V 11.1V	
CAUTION: RISK OF FIRE AND BURNS. Do not open, crush, heat above 55°C or incinerate. Follow manufacturer instructions. Avoid battery contact from metal objects.	
Non-original charger is not allowed to charge the UAV. Discard battery pack to prescribed places.	

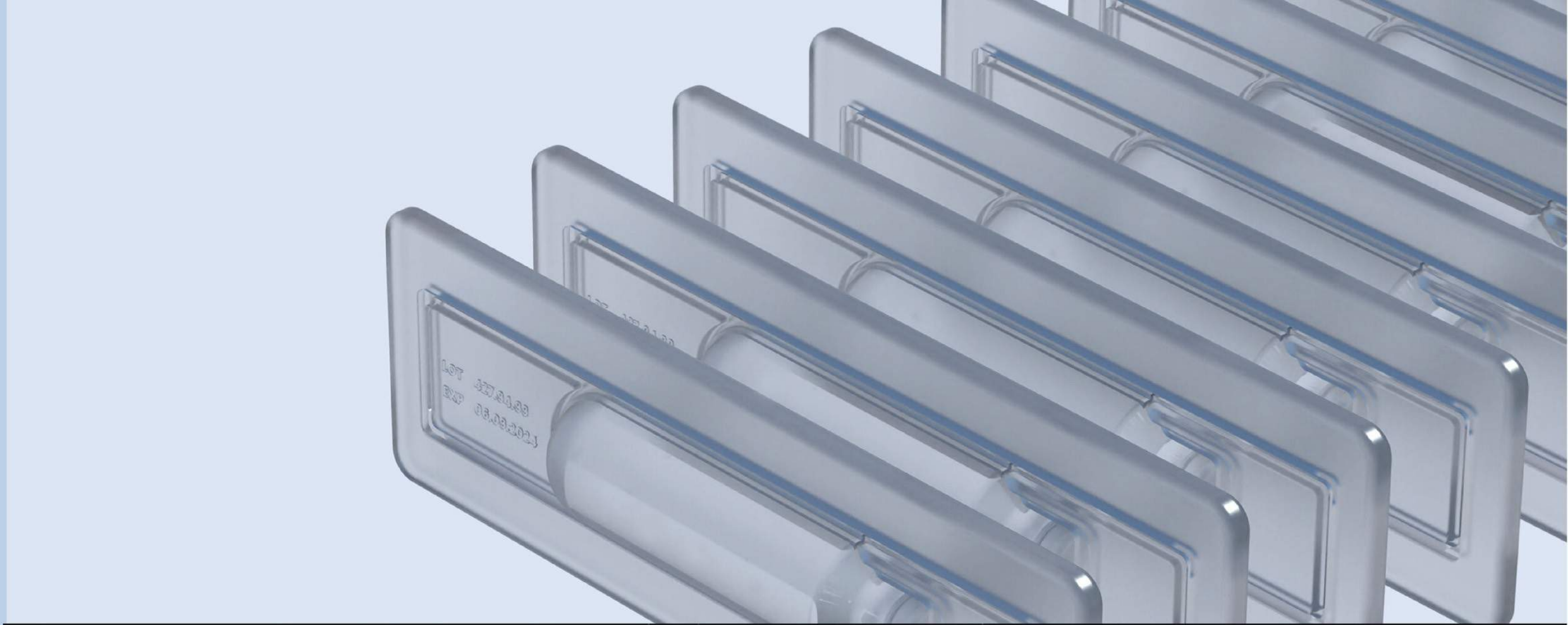
CE FC

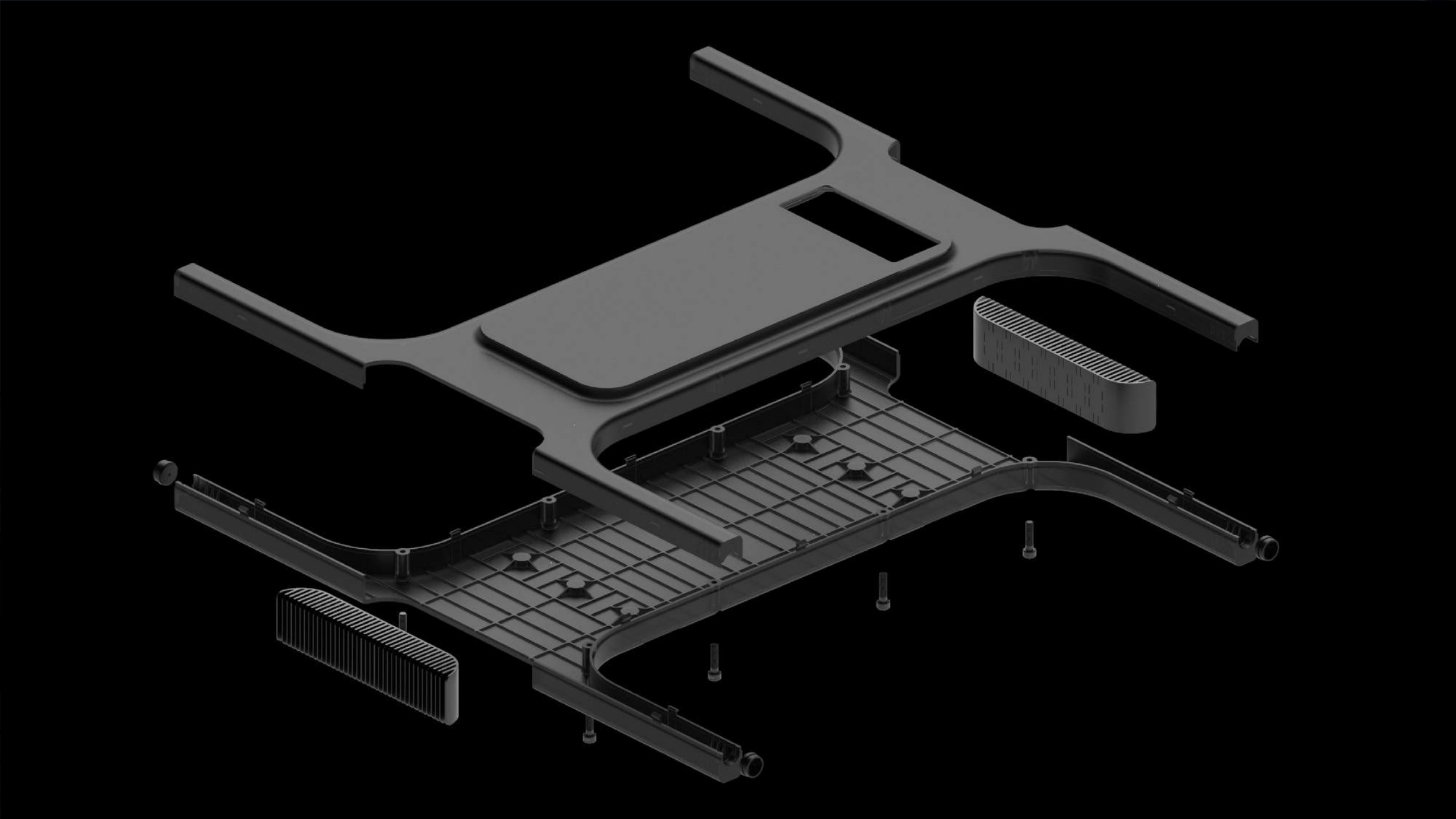
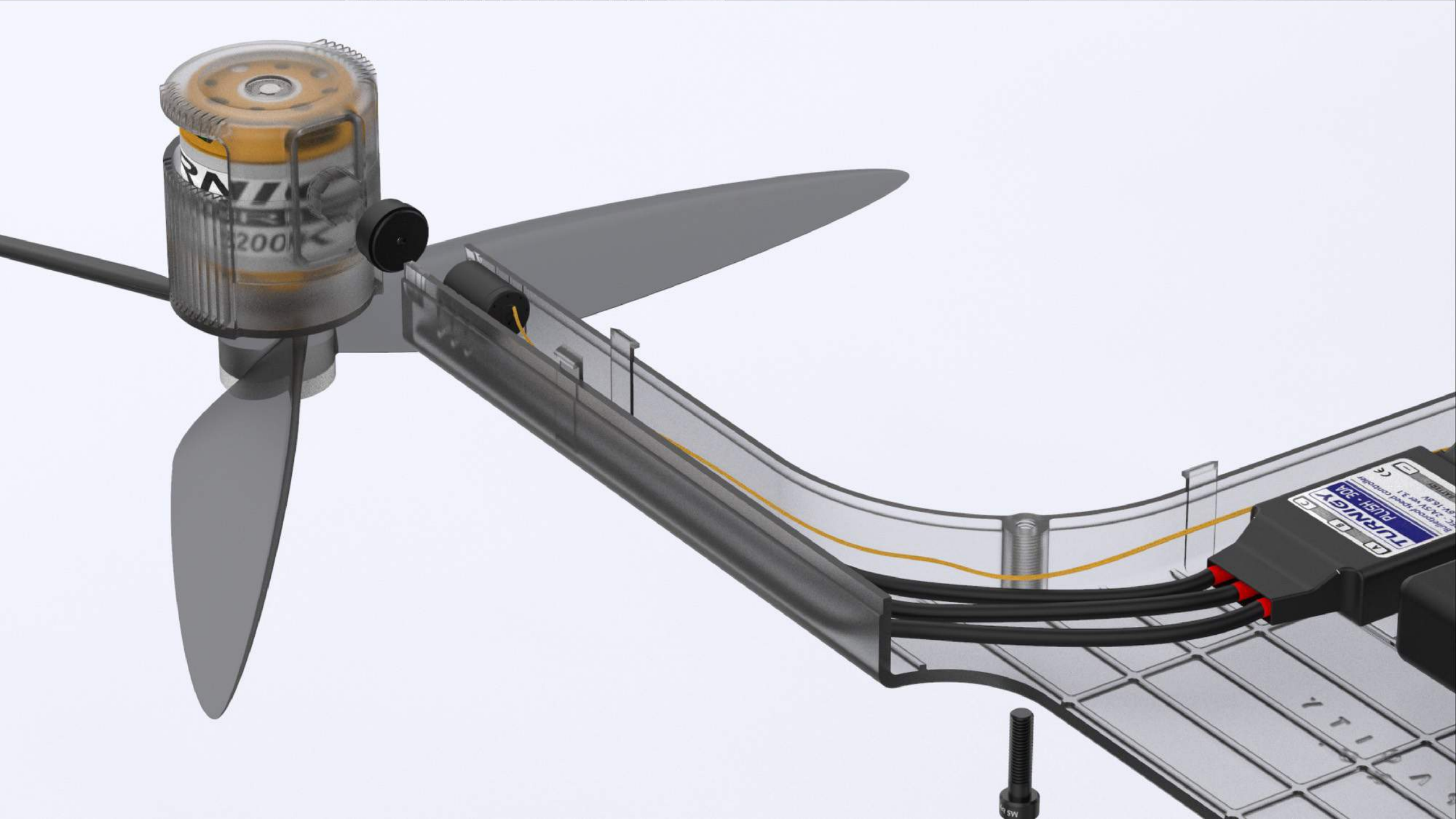
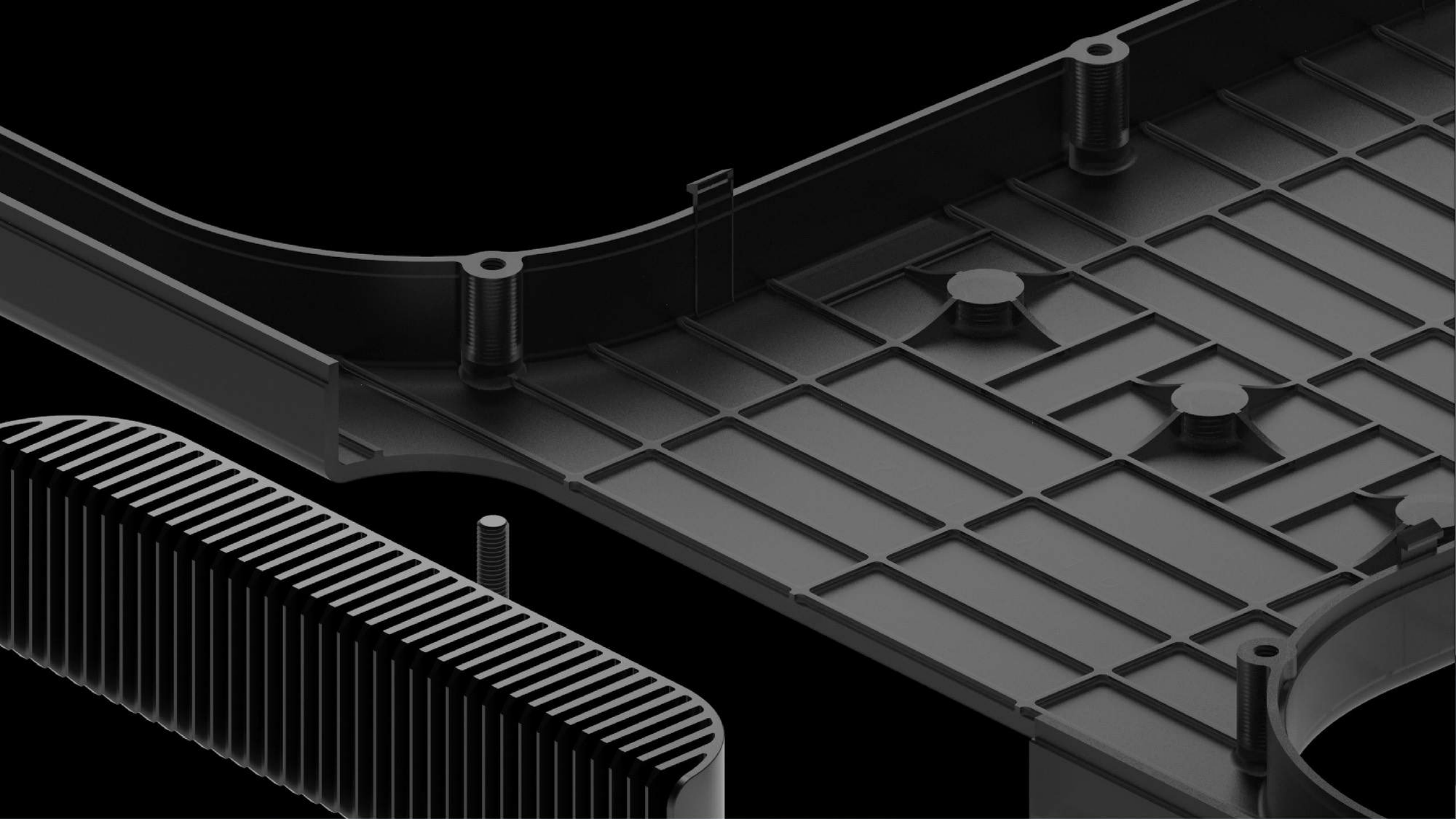
High
solar
Solut
Transp

CE FC

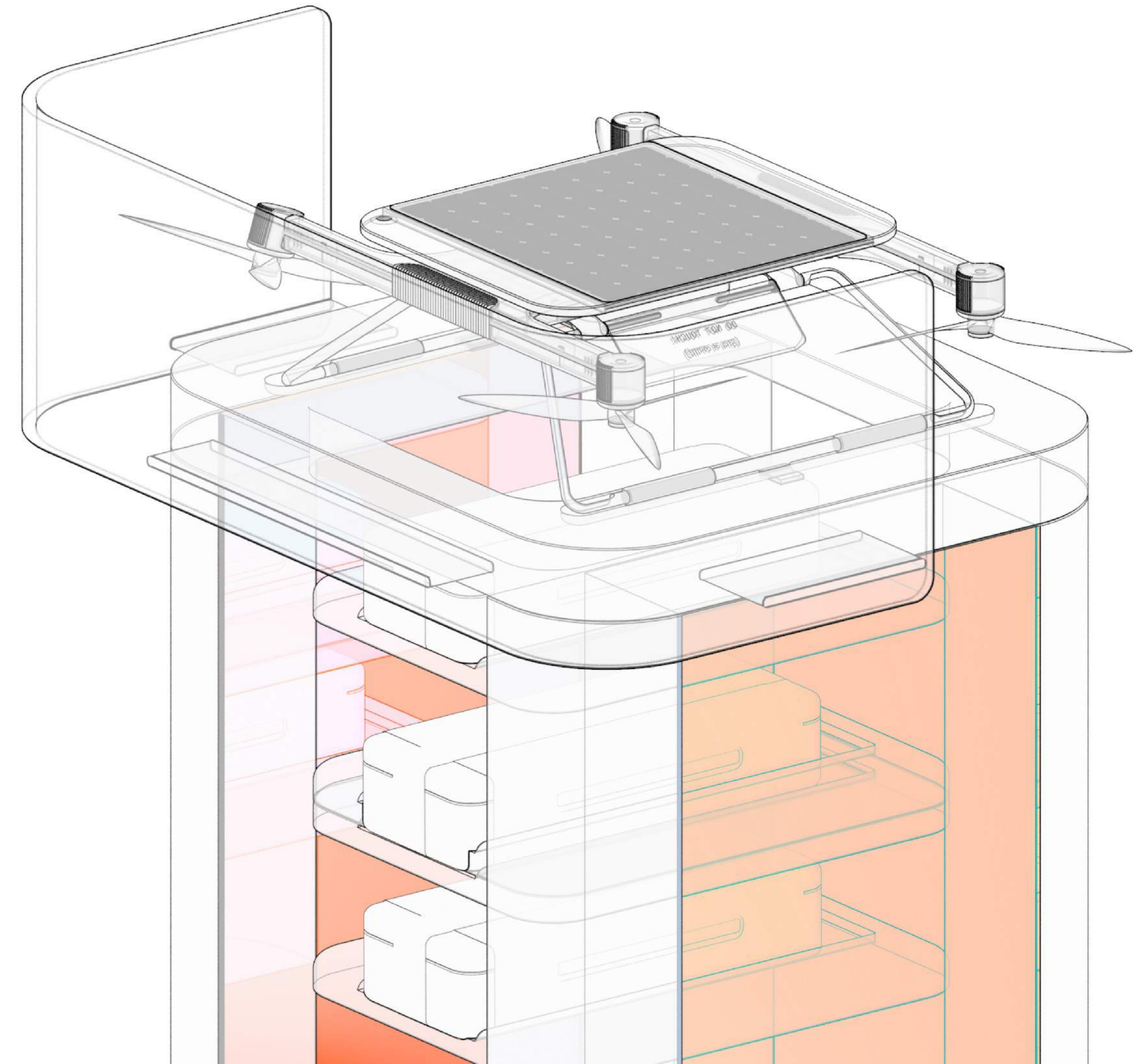
OPACITY
& O.



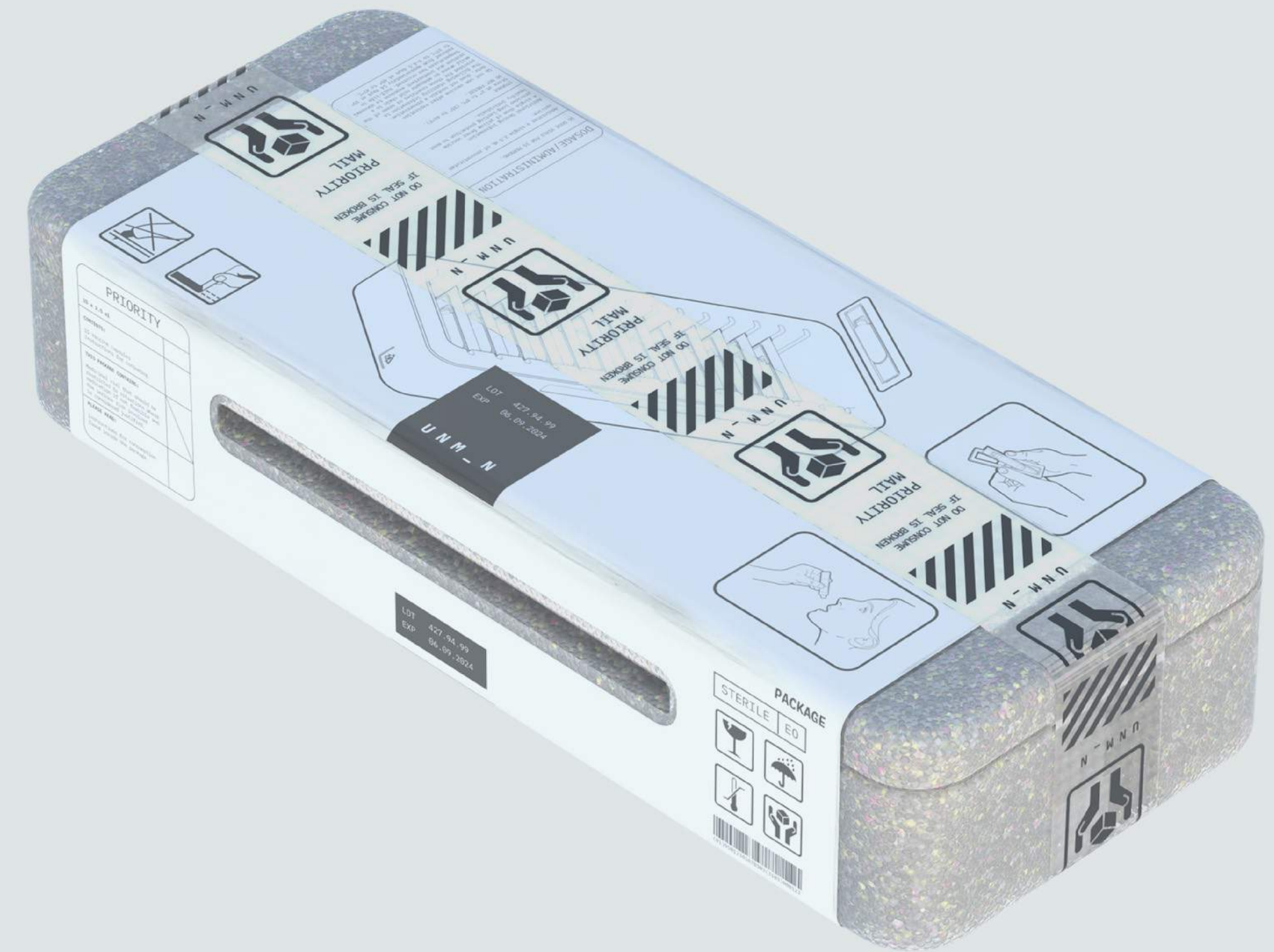




DISPATCH STATION



PACKAGE MATERIAL PLAY



Material Graph

Name: Plastic Cloudy Rough White 3mm

Material Properties

Node Name: Plastic Cloudy Rough White 3mm

Type: Plastic (Cloudy)

Transmission: [checkbox] [slider]

Transparency Distance: 10 mm

Cloudiness: [checkbox] 0.1

Refractive Index: 1.764

Roughness: [checkbox] 0

Advanced

Cloudiness Color: [checkbox] [color]

Scattering Directionality: [checkbox] 0

Samples: 16

Displace

Tri-Planar

Plastic (Cloudy)

Plastic Cloudy Rough White...

Material

- Surface
- Geometry
- Label

Transmission

Bump

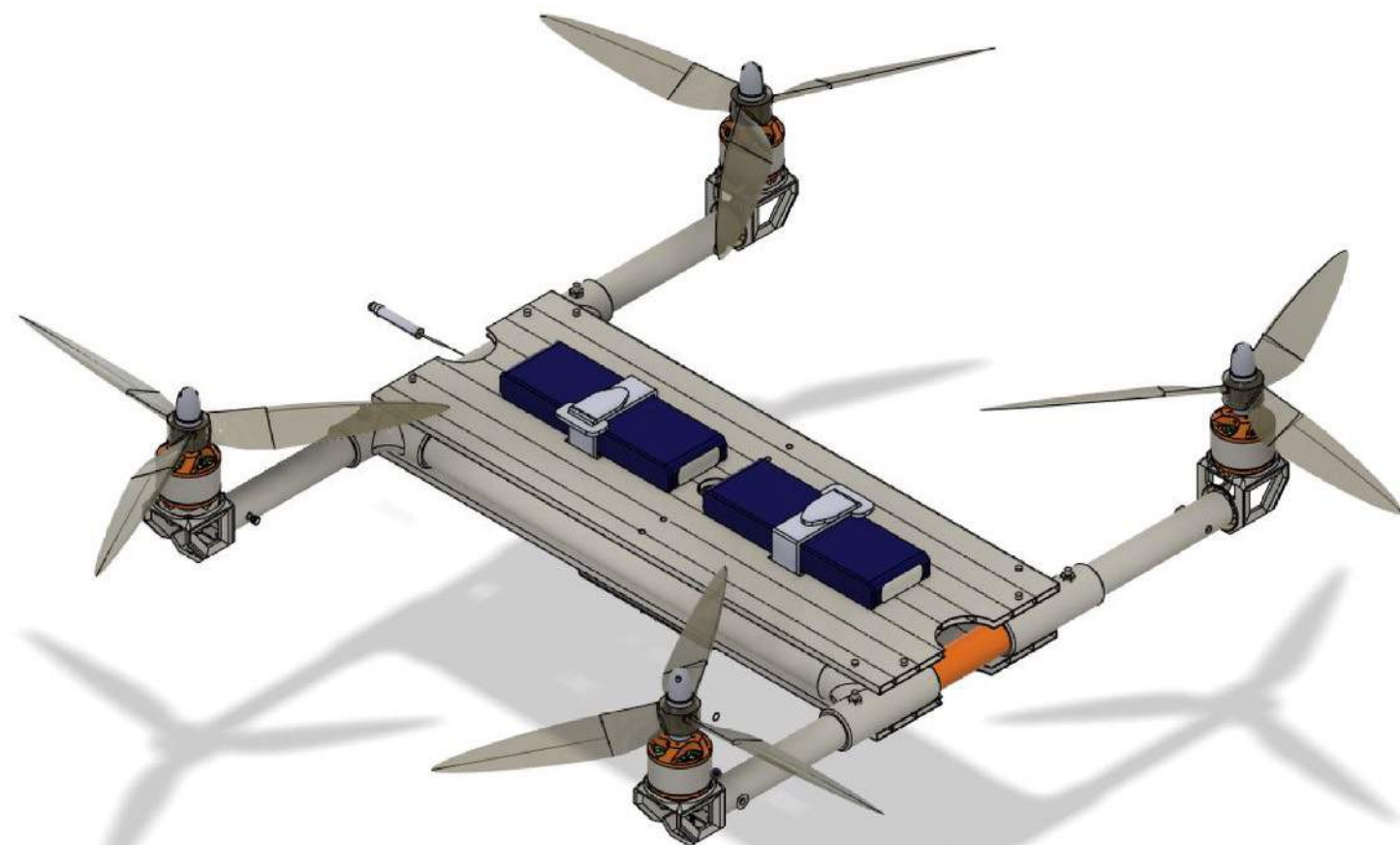
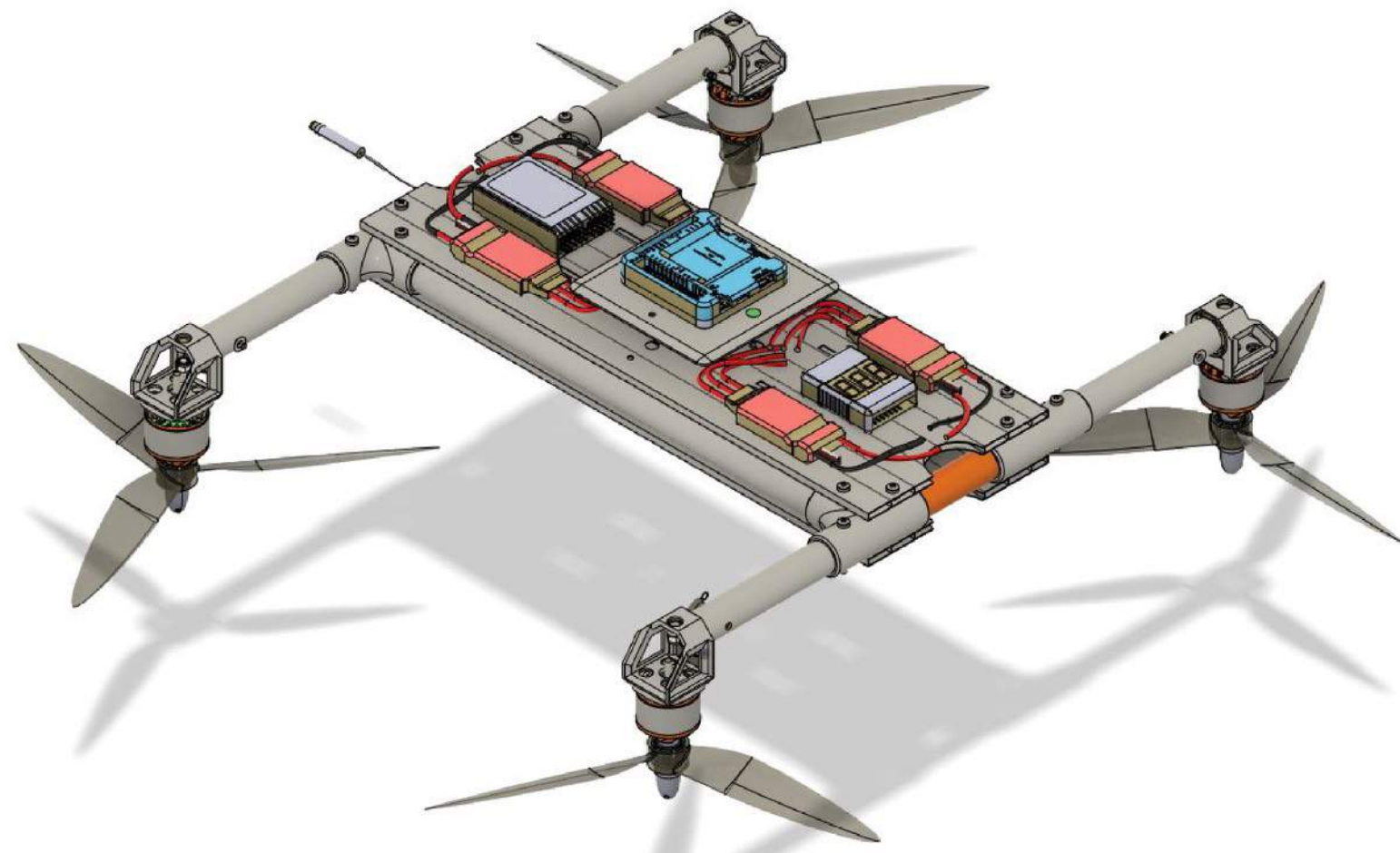
Opacity

+

Material

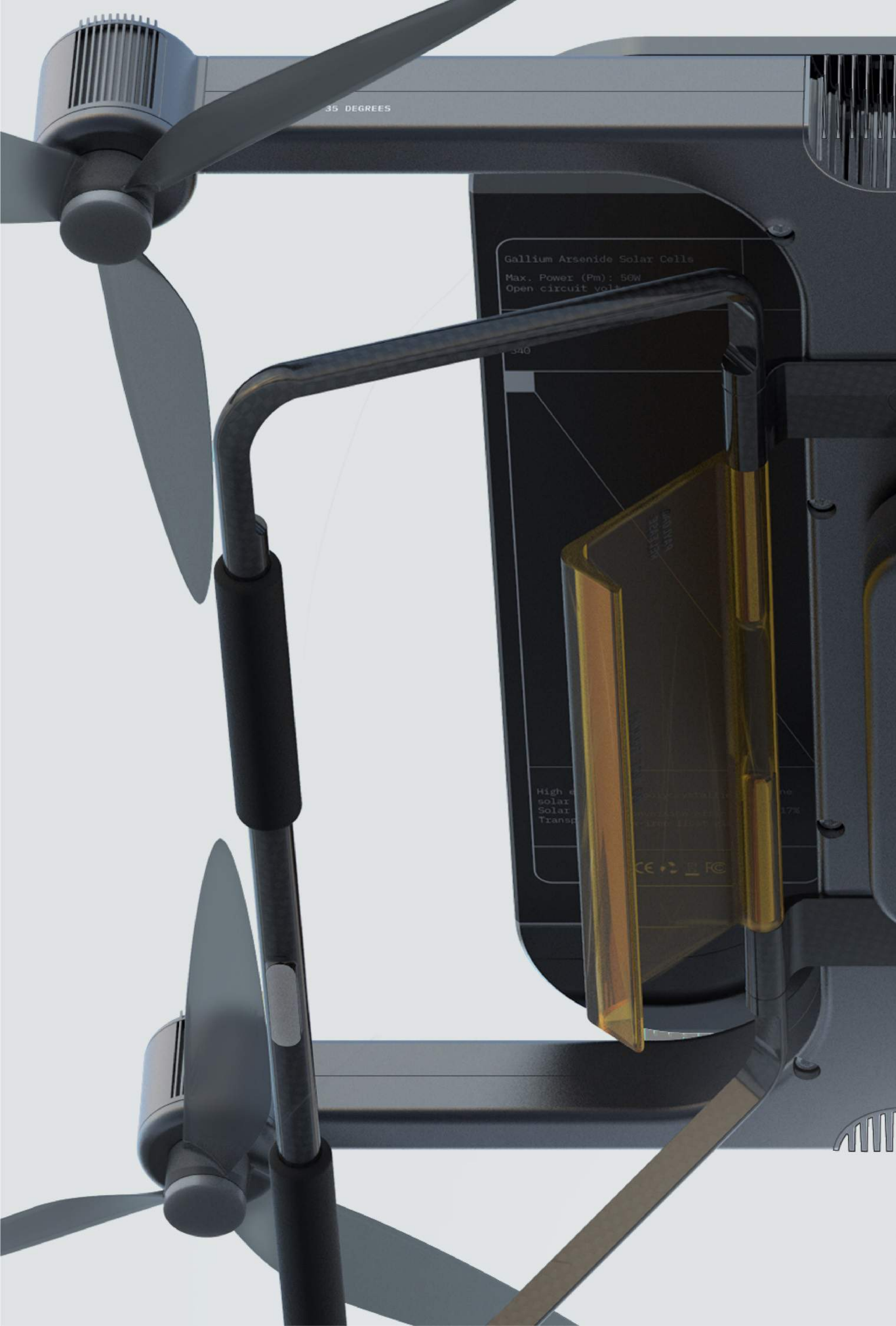
- Plastic (Cloudy) (Surface)
- Tri-Planar (Bump)
- Displace (Geometry)
- Bump Add

// Made from recycled thermocol and enveloped in paper card material helps avoid damage during transit and its lightweight enables easier carriage.

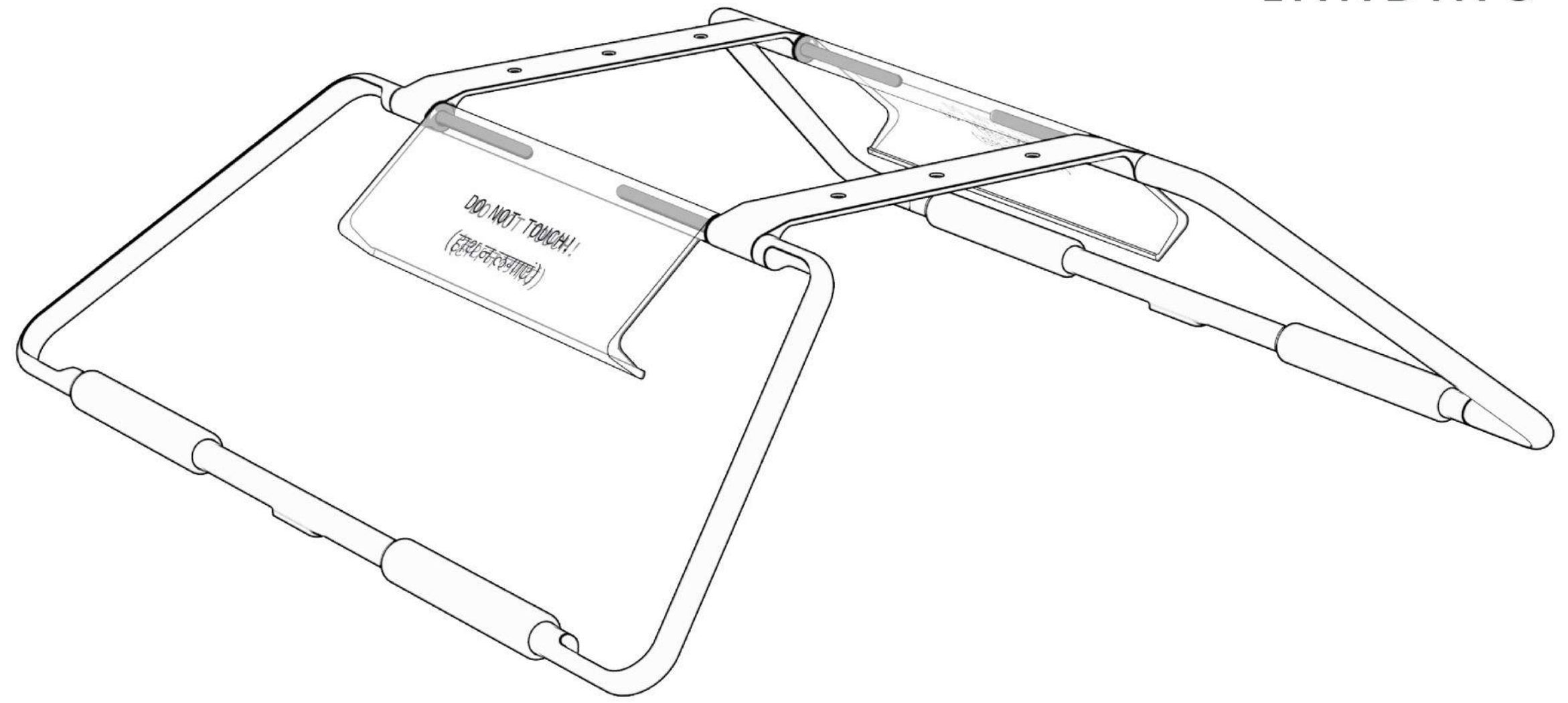


// The focus was to create something straightforward and faster-to-manufacture that could position your any day typical DIY drone kit into its aesthetics.

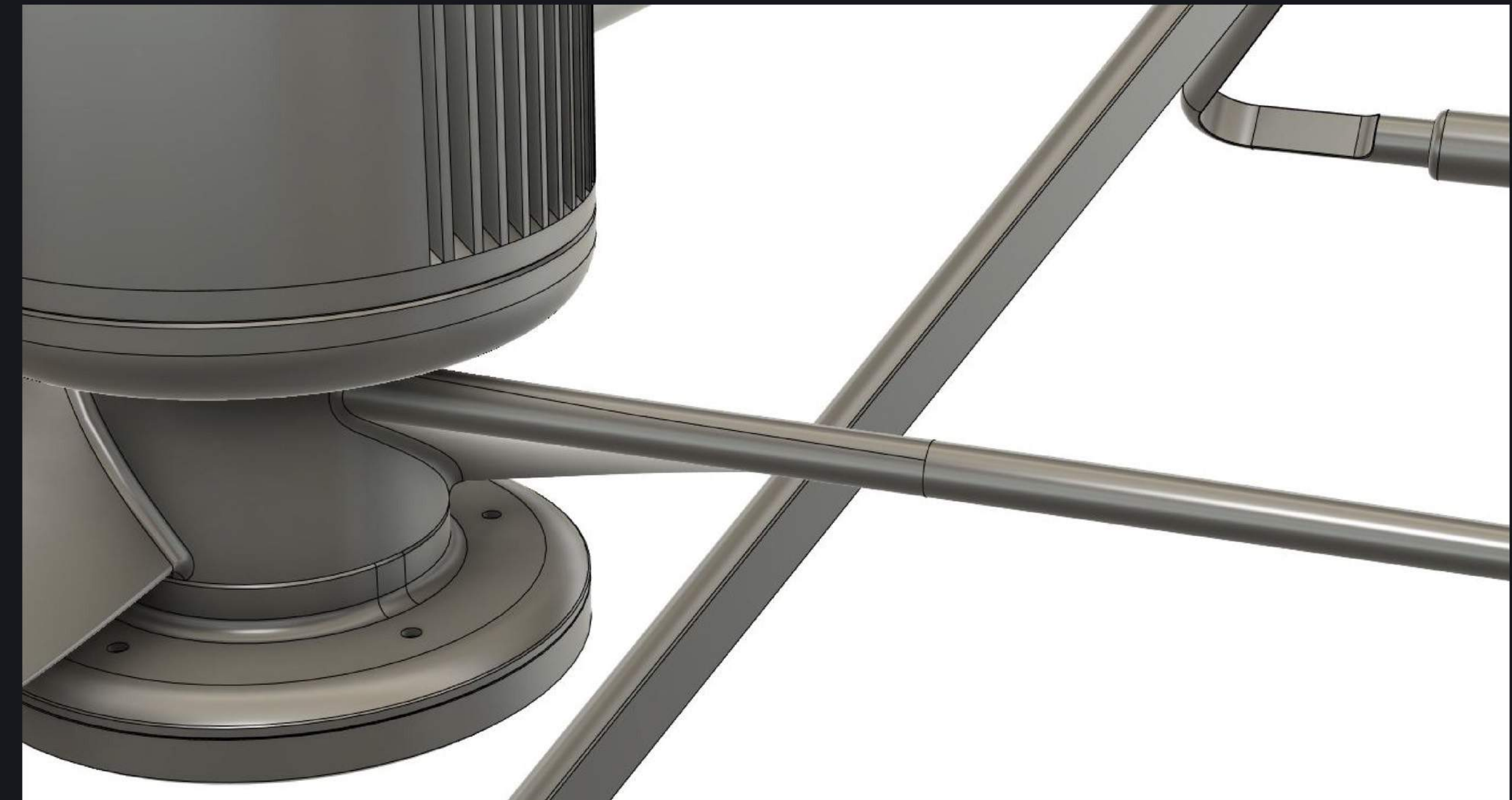
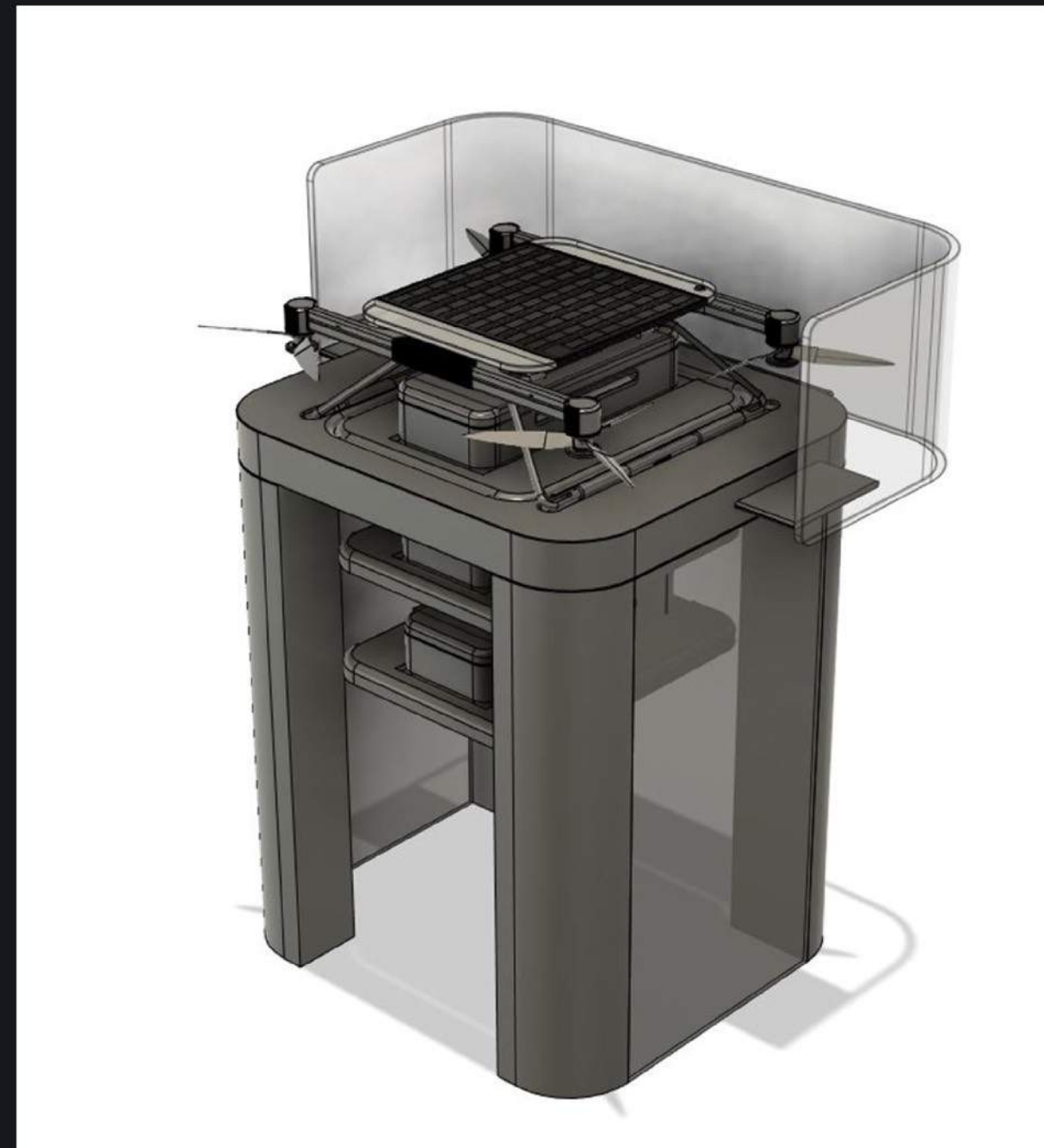
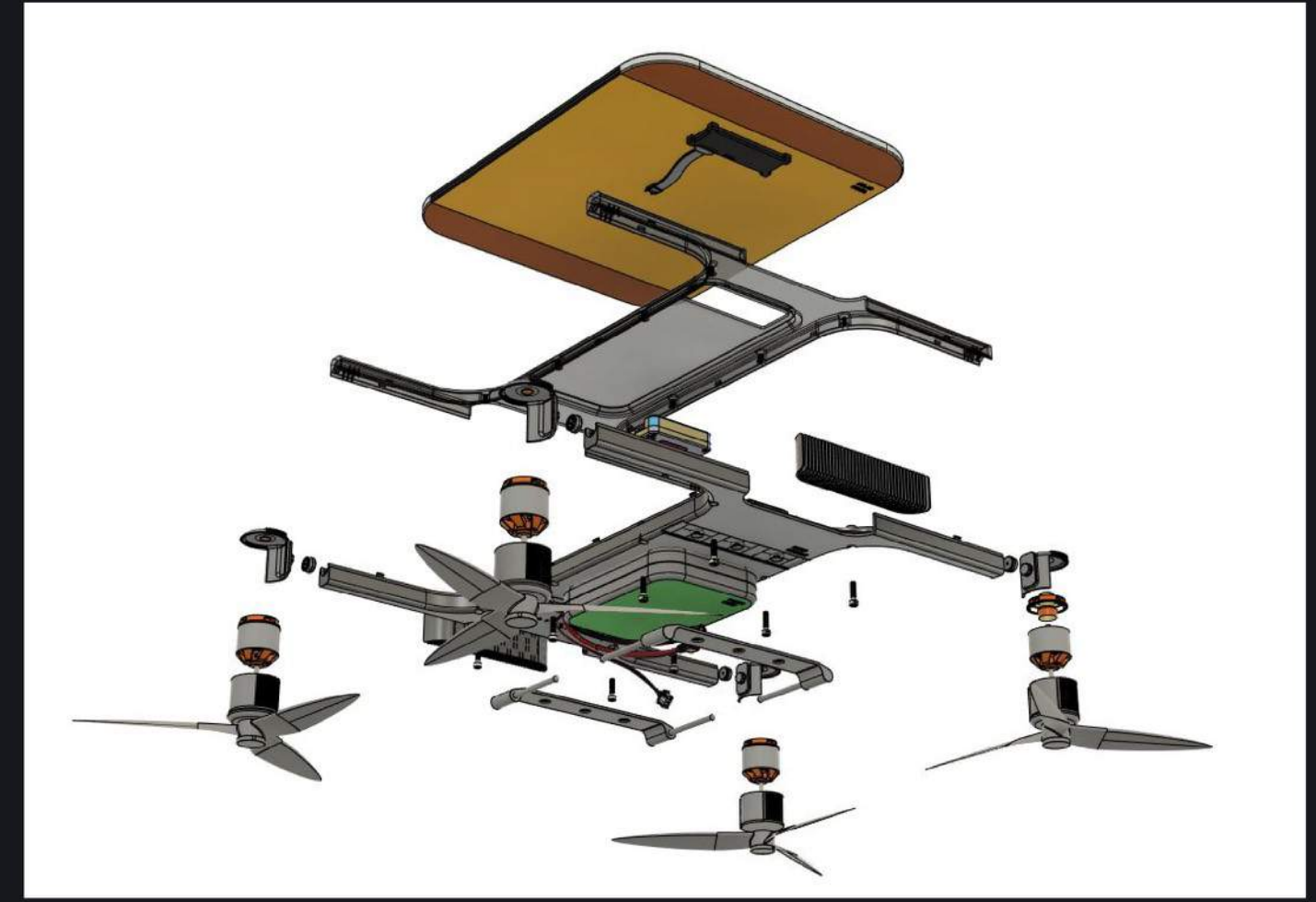
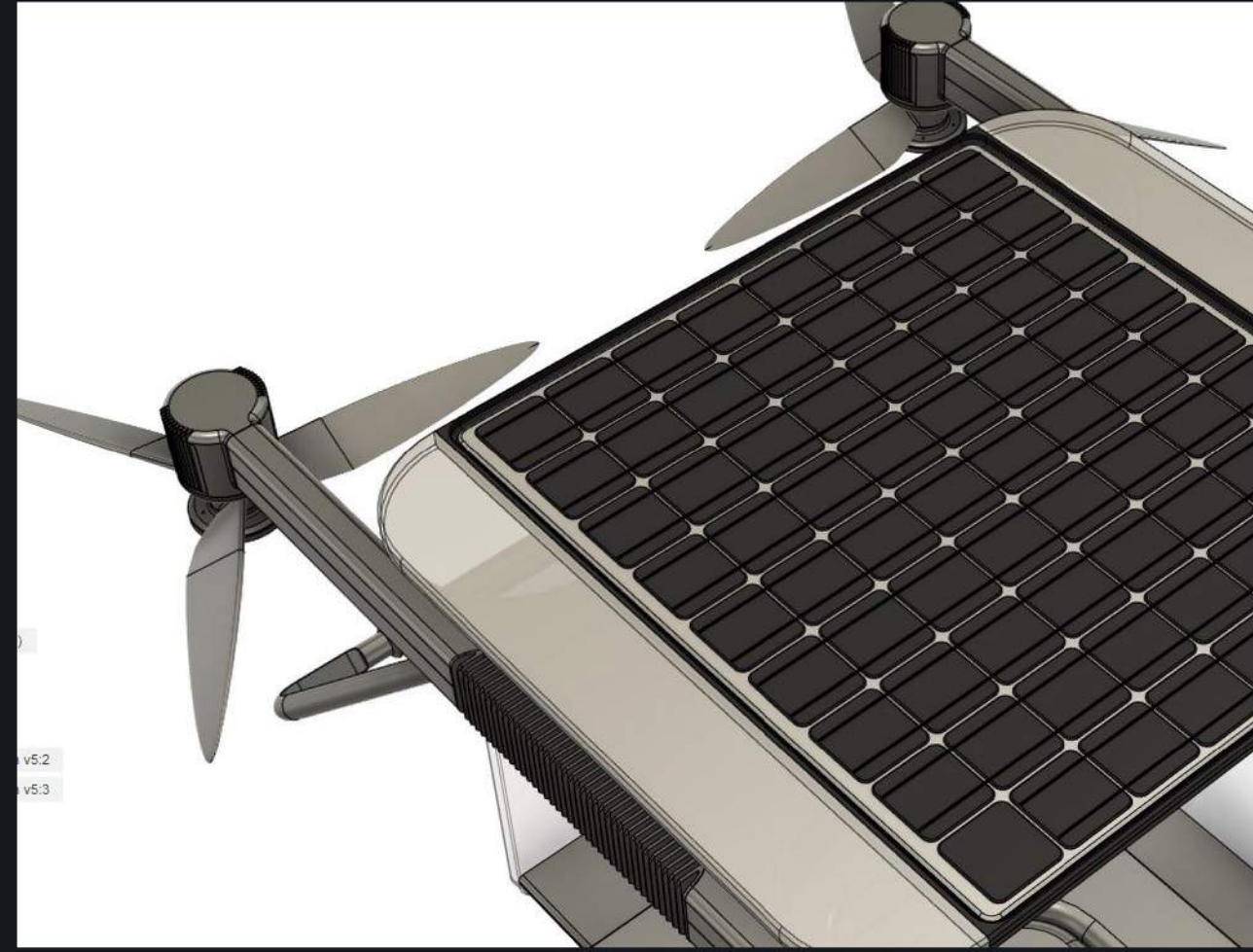




LANDING GEAR

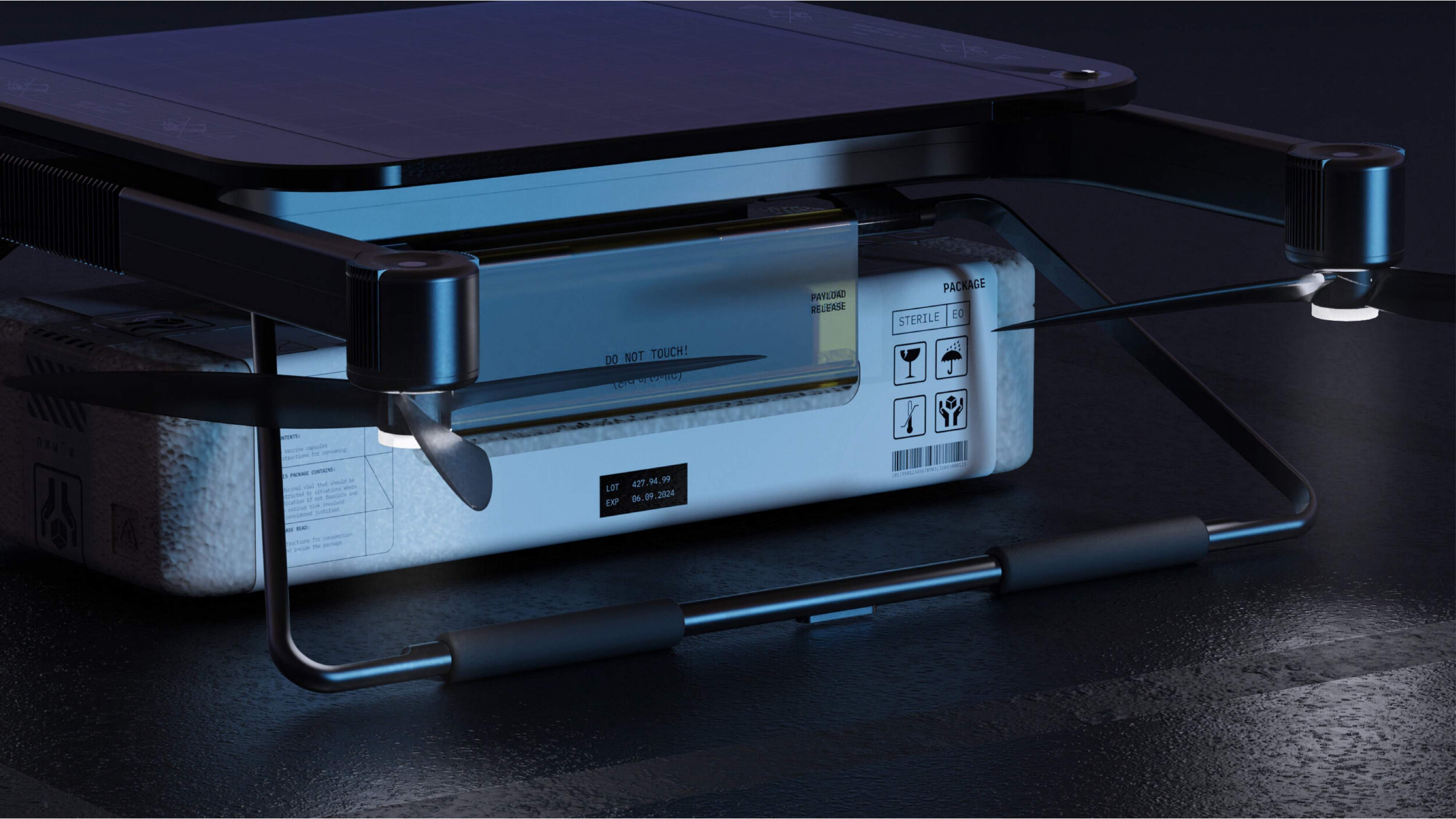


3D DEVELOPMENT









PAYLOAD
RELEASE

DO NOT TOUCH!
(vial or bottle)

LOT 427.94.99
EXP 06.09.2024

PACKAGE

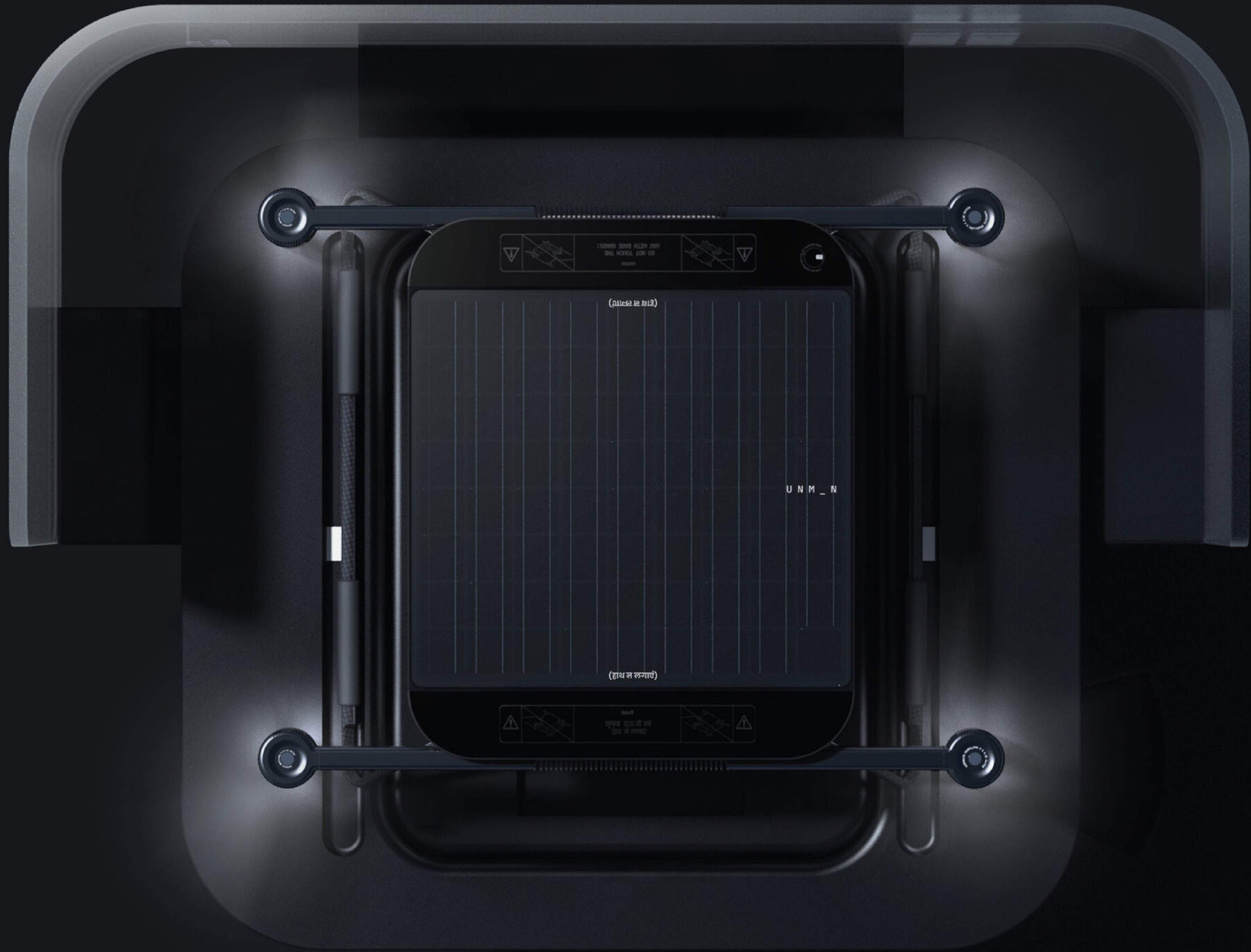
STERILE EO



CONTENTS:
Infective capsules
Instructions for reconstitution

THIS PACKAGE CONTAINS:
A single vial that should be
used in situations where
infection is a serious risk and
the risk of infection is
considered justified.

PLEASE READ:
Instructions for reconstitution
and use of the package



DO NOT TOUCH THE
FRONT SURFACE
OF THE DEVICE

(हाथ न लगाएं)

UNM_N

(हाथ न लगाएं)

DO NOT TOUCH THE
FRONT SURFACE
OF THE DEVICE

/ 4

JEEP VISUALIZATION

2021

WORK FOR OPACITY & CO.

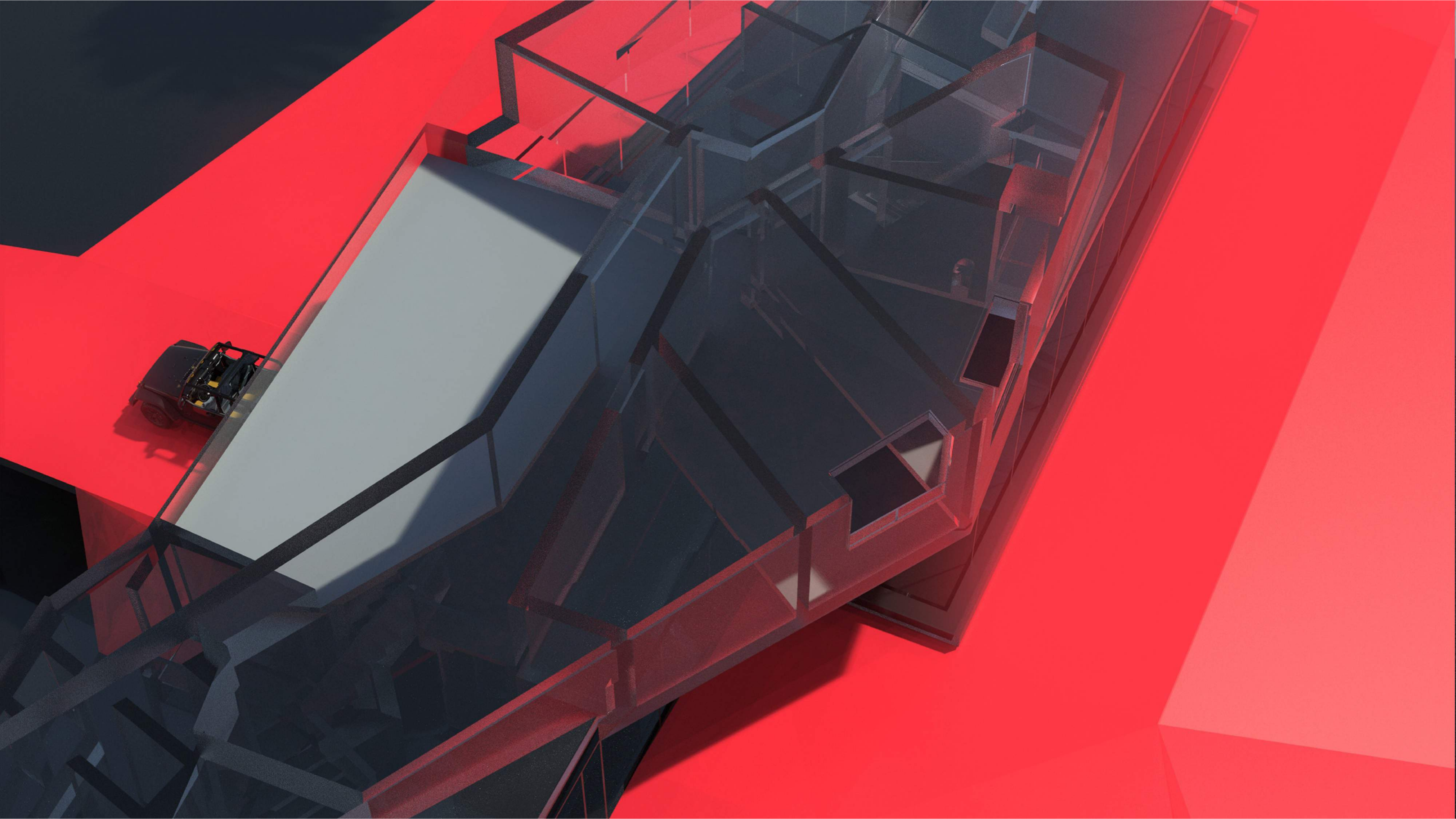
SOFTWARES /

SUBSTANCE PAINTER

KEYSHOT

PHOTOSHOP



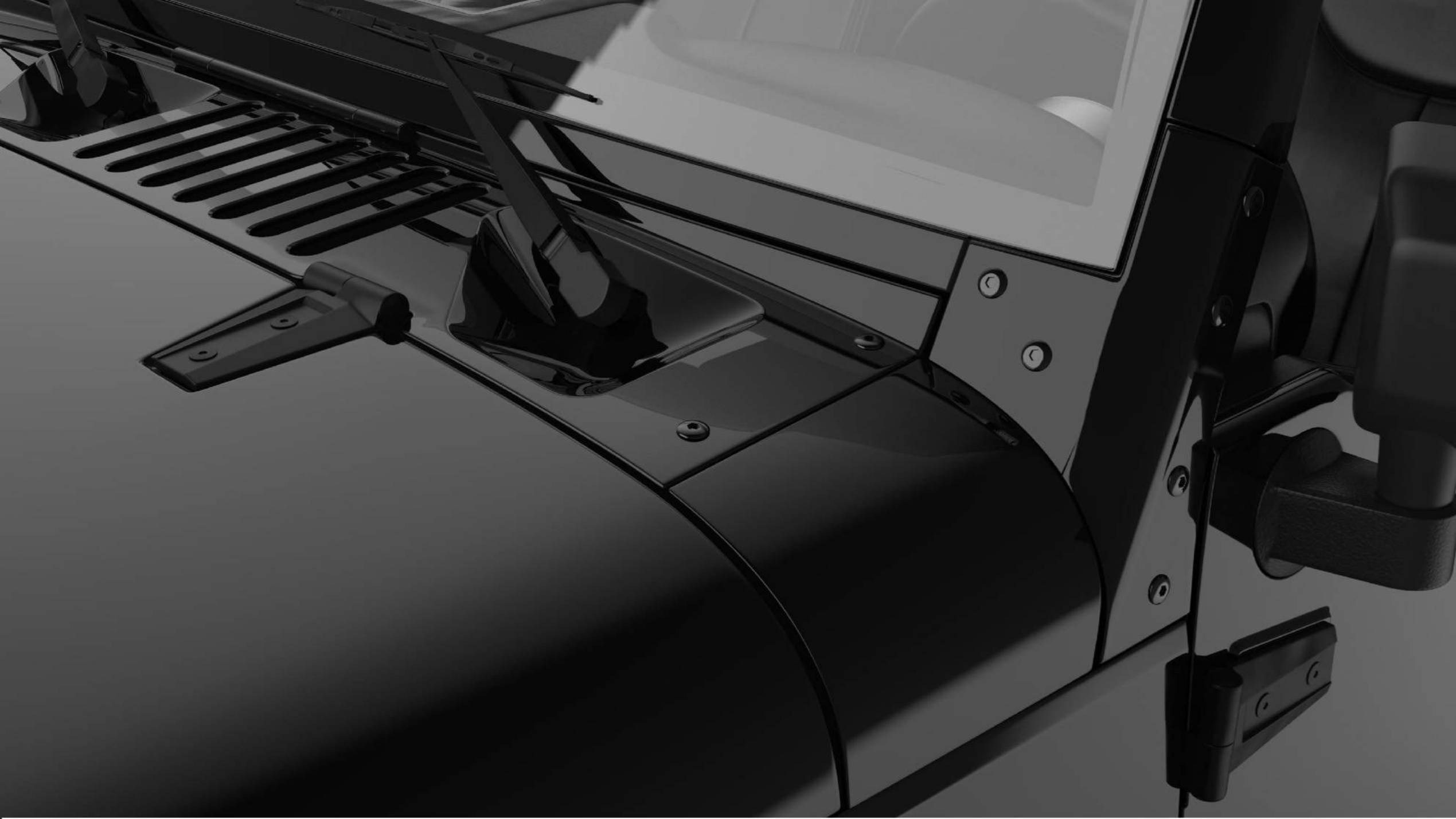














/ 5

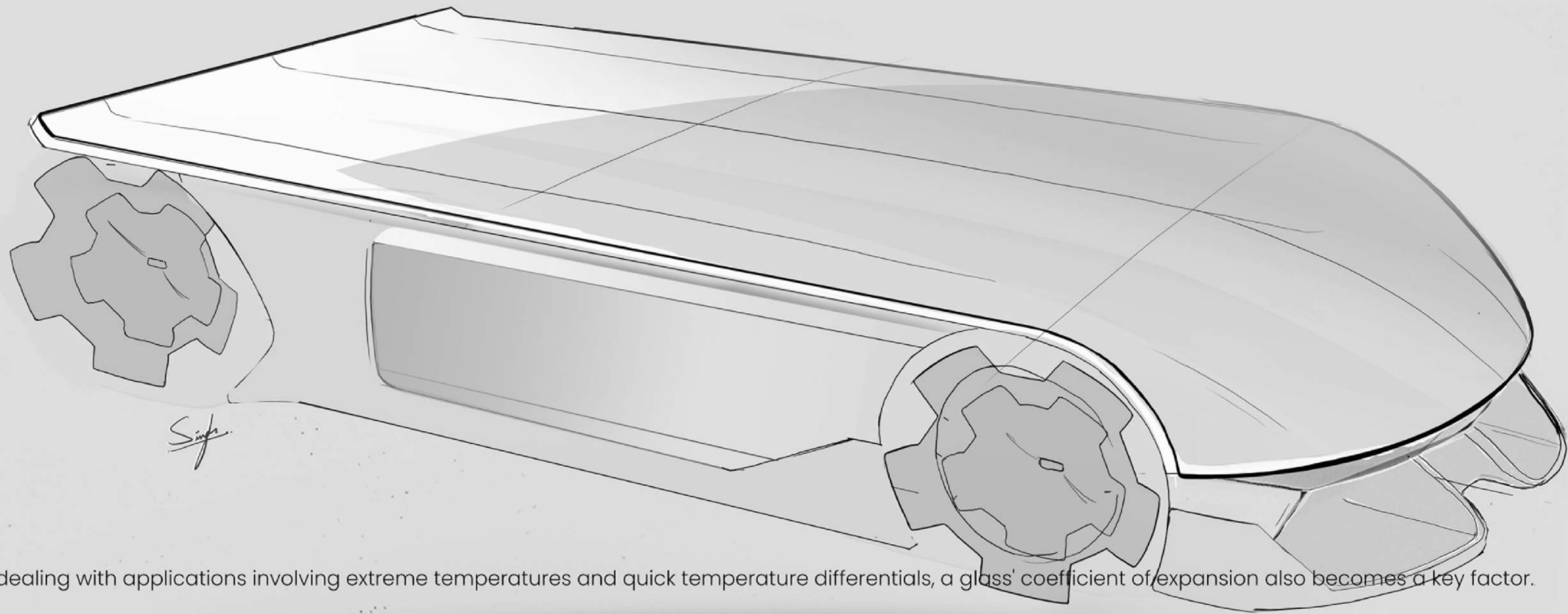
ALPHA ROBO RACE

2021

PERSONAL PROJECT
WORK IN PROGRESS

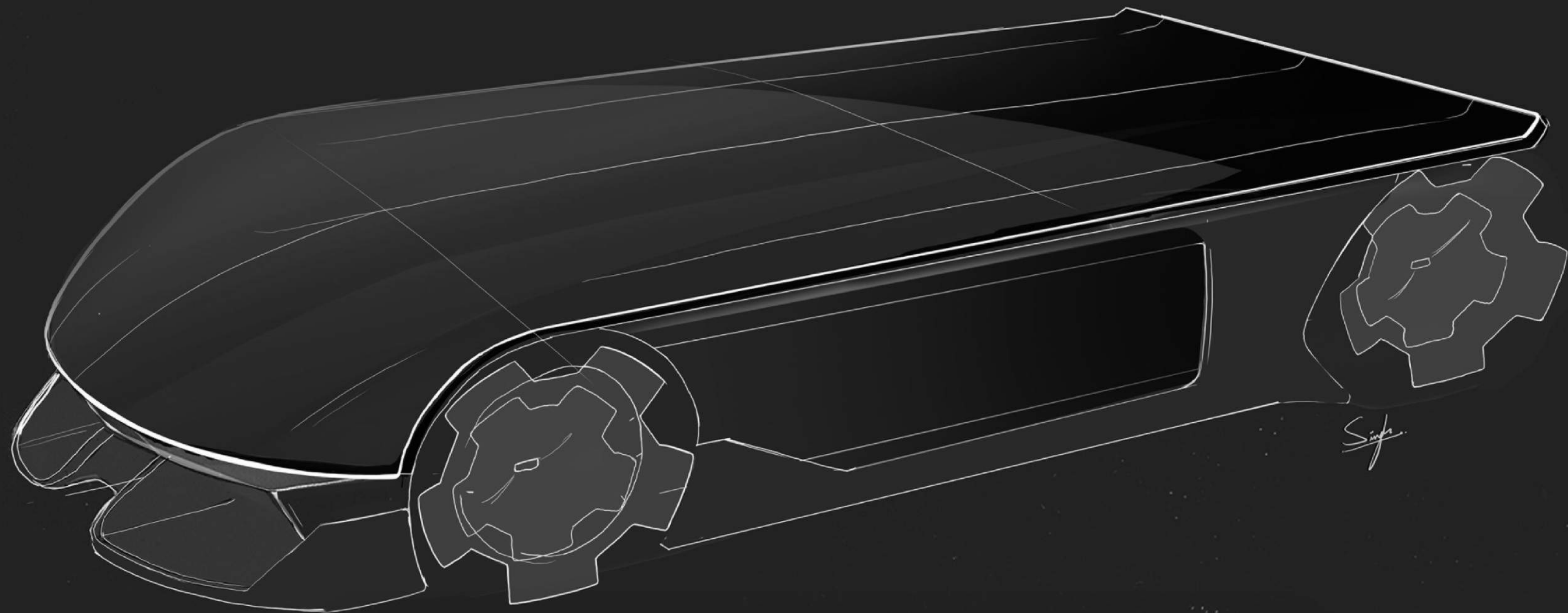
SOFTWARES /

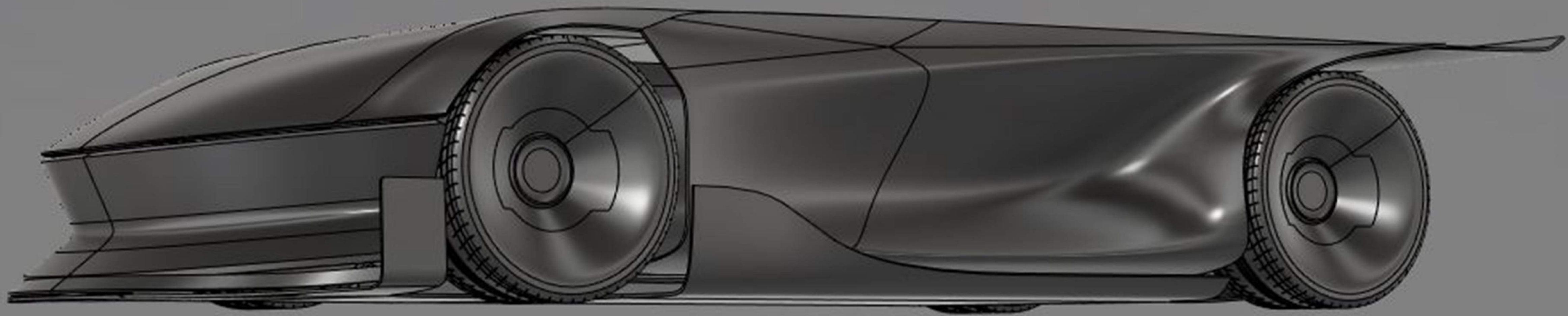
FUSION 360
KEYSHOT
PHOTOSHOP



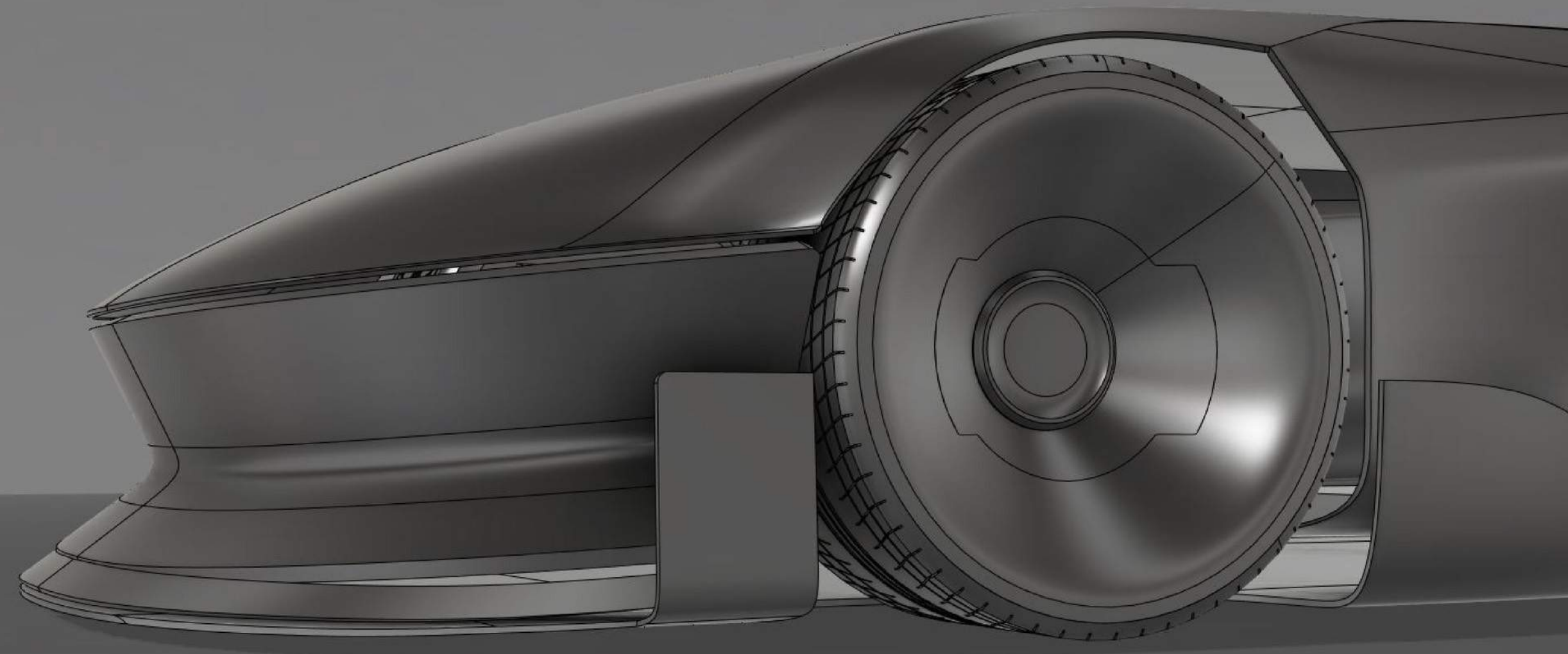
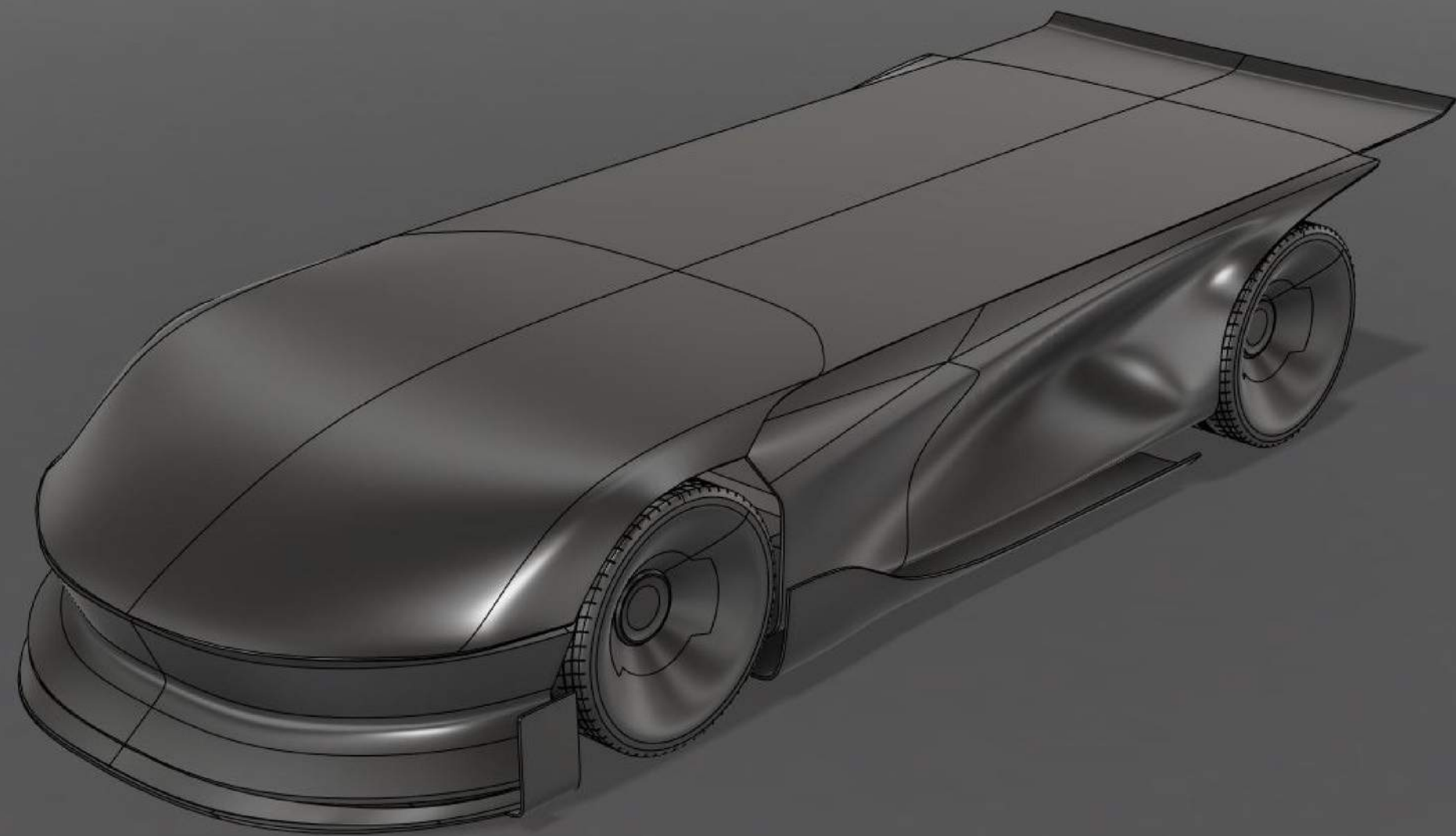
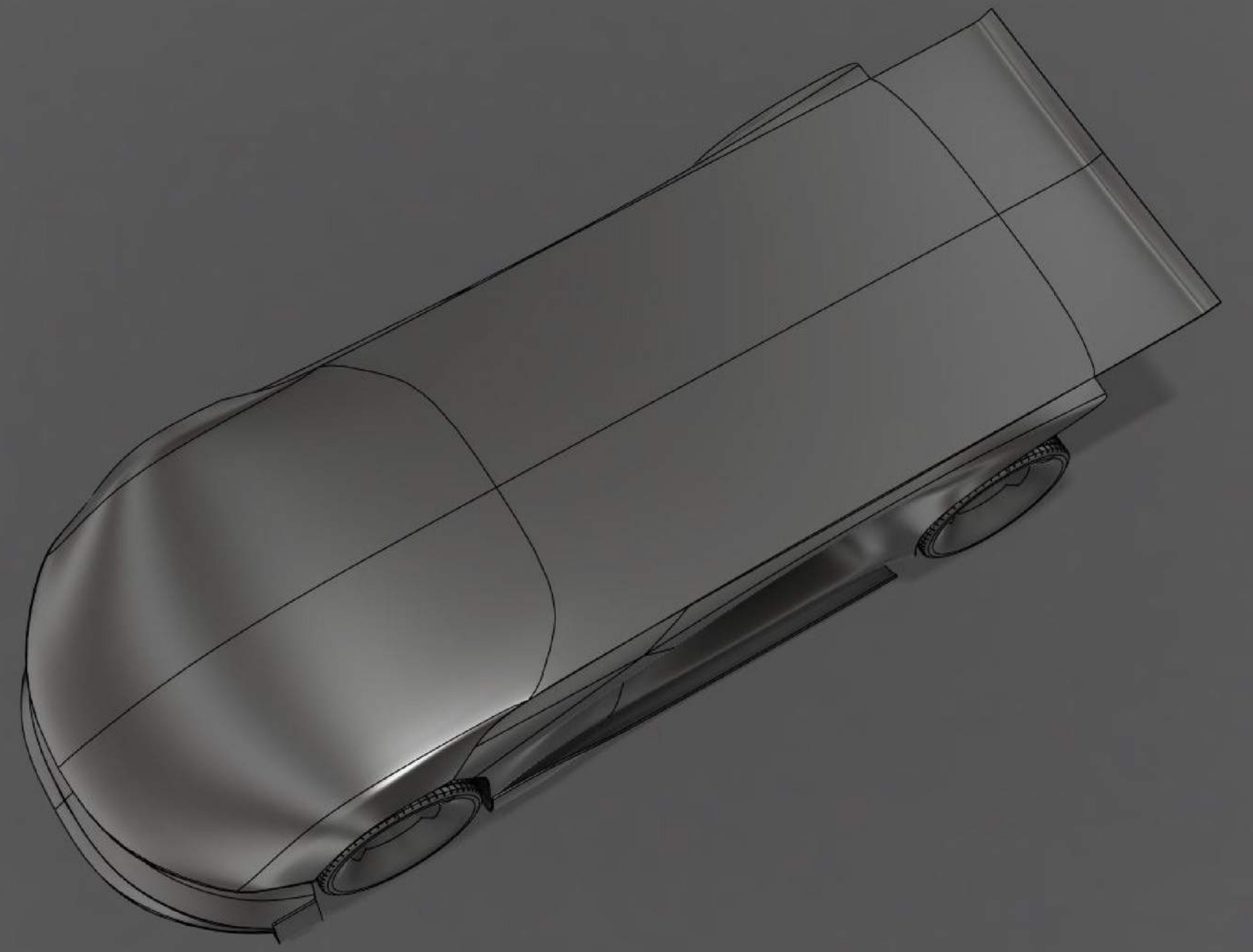
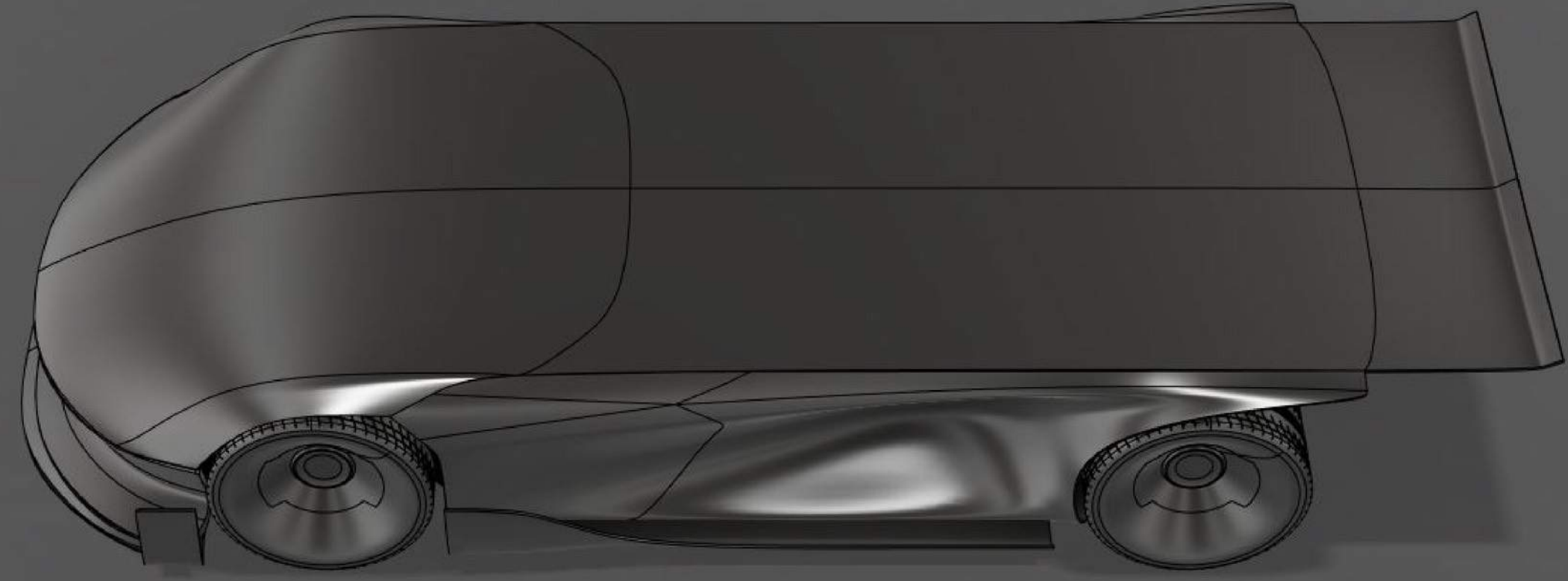
When dealing with applications involving extreme temperatures and quick temperature differentials, a glass' coefficient of expansion also becomes a key factor.

When dealing with applications involving extreme temperatures and quick temperature differentials, a glass' coefficient of expansion also becomes a key factor.





WORK IN PROGRESS



PUNEET NAGI

www.puneetnagi.com

THANK YOU!

ALL WORK ON

/ART STATION

/BEHANCE